

This document, together with the concepts and designs presented herein, is intended only for the specific purpose and shall be without liability to Kimley-Horn and Associates, Inc. Release of and improper reliance on this document without written authorization and adaptation by Kimley-Horn and Associates, Inc. shall be without liability to Kimley-Horn and Associates, Inc.



**LEGEND:**

**PLAN SYMBOLS**

- (15) ELECTRIC A.C. MOTOR, NO. INDICATES HORSEPOWER.
- CONDUIT RUN EXPOSED. RUN PARALLEL OR PERPENDICULAR TO STRUCTURE OR WALL.
- - - CONDUIT CONCEALED IN OR BELOW FLOOR OR UNDERGROUND.
- HOME RUN TO PANELBOARD. NUMBER OF ARROWS INDICATE NUMBER OF CIRCUITS. HASH MARKS INDICATE NUMBER OF #12 AWG. CONDUCTORS. NO HASH MARKS INDICATE 2 #12 CONDUCTORS.
- (LE) LEVEL TRANSDUCER
- (LLS) LIQUID LEVEL SWITCH
- (TS) TEMPERATURE SWITCH
- (SF) SEAL FAIL
- ⊗ GROUND ROD
- TW ⊗ GROUND TEST WELL

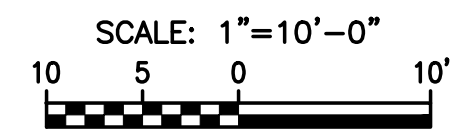
**ABBREVIATIONS**

- A AMPERES
- AFG ABOVE FINISHED GRADE
- AIC AMPS INTERRUPTING CURRENT CONTROL PANEL
- CP CONTROL POWER TRANSFORMER
- FPL FLORIDA POWER & LIGHT
- FVNR FULL VOLTAGE NON-REVERSING GROUND
- GND GROUND
- HP HORSEPOWER
- LSCP LIFT STATION CONTROL PANEL
- MIN MINIMUM
- MSC MANUFACTURER SUPPLIED CABLE
- MTD MOUNTED
- N NEUTRAL
- NEC NATIONAL ELECTRICAL CODE
- NO NUMBER
- NTS NOT TO SCALE
- P POLE
- SPD SURGE PROTECTION DEVICE
- SS STAINLESS STEEL
- SSS SOLID STATE STARTER
- TYP TYPICAL
- V VOLTS
- VA VOLT AMPERES
- VFD VARIABLE FREQUENCY DRIVE
- W WIRE
- WP WEATHERPROOF
- W/ WITH
- φ PHASE

**NOTES**

1. ELECTRICAL CONTRACTOR SHALL SUPPLY AND INSTALL ALL NEW ELECTRICAL WORK INDICATED.
2. ELECTRICAL CONTRACTOR SHALL VISIT JOB SITE AND FAMILIARIZE HIMSELF WITH ALL CONDITIONS AFFECTING ELECTRICAL INSTALLATION AND MAKE PROVISIONS AS TO THE COST THEREOF. EXISTING CONDITIONS OF ELECTRICAL EQUIPMENT, LIGHT FIXTURES, ETC., THAT ARE PART OF THE FINAL SYSTEM SHALL BE VERIFIED BY THE CONTRACTOR PRIOR TO SUBMITTING HIS BID.
3. ALL WORK SHALL BE DONE IN ACCORDANCE WITH THE 2020 NATIONAL ELECTRICAL CODE, 2020 FLORIDA BUILDING, 2020 NATIONAL FIRE PROTECTION ASSOCIATION, AND SHALL COMPLY WITH ALL LOCAL RULES AND ORDINANCES.
4. MINIMUM WIRE SIZE SHALL BE #12 A.W.G. FOR POWER CIRCUITS.
5. IT IS NOT THE INTENT OF THESE PLANS TO SHOW EVERY MINOR DETAIL OF CONSTRUCTION. THE CONTRACTOR IS EXPECTED TO FURNISH AND INSTALL ALL ITEMS FOR A COMPLETE ELECTRICAL SYSTEM AND PROVIDE ALL REQUIREMENTS NECESSARY FOR THE EQUIPMENT TO BE PLACED IN PROPER WORKING ORDER.
6. ELECTRICAL SYSTEM SHALL BE COMPLETE AND EFFECTIVELY GROUNDED AS REQUIRED BY THE LATEST EDITION OF THE N.E.C. OR LOCAL CODES. ALL CONDUITS SHALL HAVE A BOND WIRE SIZED PER TABLE 250-122 OF THE NATIONAL ELECTRICAL CODE.
7. ALL MATERIALS SHALL BE NEW AND BEAR UNDERWRITERS' LABELS WHERE APPLICABLE.
8. ALL WORK SHALL BE PERFORMED BY A LICENSED ELECTRICAL CONTRACTOR IN A FIRST CLASS WORKMANLIKE MANNER. THE COMPLETED SYSTEM SHALL BE FULLY OPERATIVE AND ACCEPTED BY ENGINEER/OWNER.
9. CONTRACTOR SHALL GUARANTEE ALL MATERIALS AND WORKMANSHIP FREE FROM DEFECTS FOR A PERIOD OF NOT LESS THAN ONE YEAR FROM DATE OF ACCEPTANCE.
10. CORRECTION OF ANY DEFECTS SHALL BE COMPLETED WITHOUT ADDITIONAL CHARGE AND SHALL INCLUDE REPLACEMENT OR REPAIR OF ANY OTHER PHASE OF THE INSTALLATION WHICH MAY HAVE BEEN DAMAGED.
11. THE ELECTRICAL INSTALLATION SHALL MEET ALL STANDARD REQUIREMENTS OF FPL.
12. CONTRACTOR SHALL BE RESPONSIBLE FOR ALL CUTTING AND PATCHING REQUIRED OF HIS WORK.
13. ELECTRICAL CONTRACTOR SHALL LABEL ALL PANELS W/ TYPE WRITTEN DIRECTORIES.
14. ALL ELECTRICAL WIRING SHALL BE THE RESPONSIBILITY OF THE ELECTRICAL CONTRACTOR.
15. DO NOT SCALE THE ELECTRICAL DRAWINGS. REFER TO THE APPROVED MANUFACTURER'S SHOP DRAWINGS FOR THE EXACT DIMENSIONS OF ALL EQUIPMENT.
16. *SLANTED AND SHADED TEXT* DENOTES EXISTING EQUIPMENT OR STRUCTURES. EXISTING EQUIPMENT OR STRUCTURES ARE ALSO CALLED OUT WITH THE WORD "EXISTING" PRECEDING NON-SLANTED TEXT DENOTES NEW EQUIPMENT, STRUCTURES & WORK.
17. ALL CONTROL PANELS SHALL BE UL LISTED AND MEET THE REQUIREMENTS OF ARTICLE 409 OF THE NATIONAL ELECTRICAL CODE.

**ELECTRICAL SITE PLAN**



No.	REVISIONS	DATE	BY

**Kimley»Horn**

600 NORTH PINE ISLAND ROAD, SUITE 450, PLANTATION, FL 33324  
 PHONE: 954-535-5100 FAX: 954-739-2247  
 WWW.KIMLEY-HORN.COM CA 00000696

KHA PROJECT	043138041
DATE	MARCH 2022
SCALE	AS SHOWN
DESIGNED BY	SEB
DRAWN BY	SJL
CHECKED BY	SEB

**SOUTH TREASURE DRIVE PUMP STATION IMPROVEMENTS**

PREPARED FOR  
**NORTH BAY VILLAGE**

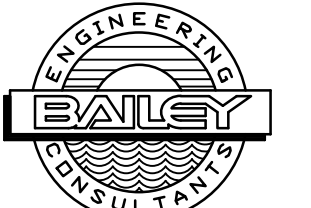
NORTH BAY VILLAGE FLORIDA

LICENSED PROFESSIONAL	STEPHEN E. BAILEY, P.E.
FLORIDA LICENSE NUMBER	42461
DATE:	03/09/22

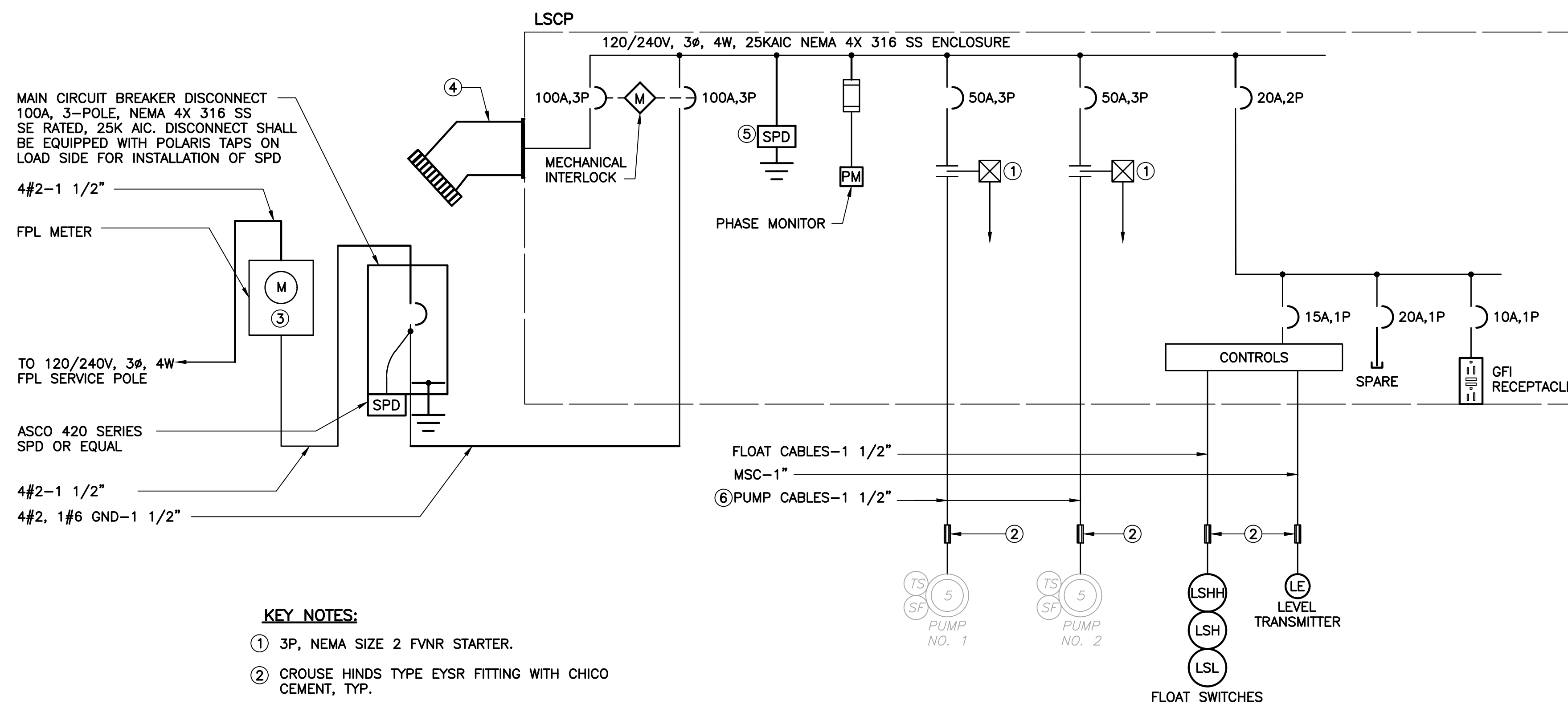
**ELECTRICAL SITE PLAN, NOTES, SYMBOLS AND ABBREVIATIONS**

SHEET NUMBER	E-02
--------------	------

10620 GRIFFIN ROAD, SUITE 202  
 COOPER CITY, FLORIDA 33328  
 PHONE: (954) 448-7930  
 C.O.A. No. 6783  
 Stephen E. Bailey, P.E.  
 Florida P.E. No. 42461



This document, together with the concepts and designs presented herein, is intended only for the specific purpose and client for which it was prepared. Reuse of and improper reliance on this document without written authorization and adaptation by Kimley-Horn and Associates, Inc. shall be without liability to Kimley-Horn and Associates, Inc.



- GENERAL NOTES:**
- EXISTING LIFT STATION SHALL REMAIN OPERATIONAL DURING THE DURATION OF THE WORK. PROVIDE STANDBY POWER, BYPASS PUMPING, AND TEMPORARY UTILITY POWER AS REQUIRED TO COMPLETE THE WORK.
  - SUBMIT PLANNED SEQUENCE OF CONSTRUCTION TO ENGINEER PRIOR TO COMMENCING THE WORK.
  - TRENCHING FOR RACEWAYS BETWEEN WET WELL AND EQUIPMENT RACK SHALL BE HAND-DUG. SAW CUT PAVED AREAS, AS REQUIRED.
  - REPLACE EXISTING FLOAT SWITCHES.

- KEY NOTES:**
- 3P, NEMA SIZE 2 FVNR STARTER.
  - CROUSE HINDS TYPE EYSR FITTING WITH CHICO CEMENT, TYP.
  - METER CAN SHALL BE FURNISHED AND INSTALLED BY CONTRACTOR.
  - GENERATOR RECEPTACLE. 100A RUSSELL STOLL #JRSA1044FR (REVERSE SERVICE).
  - ASCO 430 SERIES.
  - FURNISH NEW PUMP CABLES FOR EXISTING PUMPS. CONTRACTOR TO CONFIRM REQUIRED CABLE LENGTH FROM PUMPS TO LSCP.

**SINGLE LINE DIAGRAM**

**LOAD TABULATION**  
SERVICE VOLTAGE: 120/240V, 3φ, 4W

DESCRIPTION	LOAD	AMPACITY
① EXISTING PUMPS	2 @ 5 HP EACH	= 38.00 AMPS
MISCELLANEOUS	1 KVA	= 4.16 AMPS
	CONNECTED LOAD	= 42.16 AMPS
② MINIMUM SERVICE ENTRANCE = 42.16 AMPS + (0.25)(19.00) = <b>46.91</b> AMPS		

**NOTES:**

- AMPACITIES PER PUMP MFR. DATASHEETS.
- SERVICE ENTRANCE MINIMUM SIZE AS PER ARTICLE 230 OF THE NATIONAL ELECTRICAL CODE.
- EXISTING PUMP IS KEEN K4RN SERIES PUMP.

No.	REVISIONS	DATE	BY

**Kimley » Horn**

600 NORTH PINE ISLAND ROAD, SUITE 450, PLANTATION, FL 33324  
 PHONE: 954-535-5100 FAX: 954-739-2247  
 WWW.KIMLEY-HORN.COM CA 00000696

KHA PROJECT	043138041
DATE	MARCH 2022
SCALE	AS SHOWN
DESIGNED BY	SEB
DRAWN BY	SJL
CHECKED BY	SEB

**SOUTH TREASURE DRIVE PUMP STATION IMPROVEMENTS**

PREPARED FOR  
**NORTH BAY VILLAGE**

NORTH BAY VILLAGE FLORIDA

LICENSED PROFESSIONAL  
 STEPHEN E. BAILEY, P.E.  
 FLORIDA LICENSE NUMBER  
 42461  
 DATE: 03/09/22

**SINGLE LINE DIAGRAM**

**E-03**

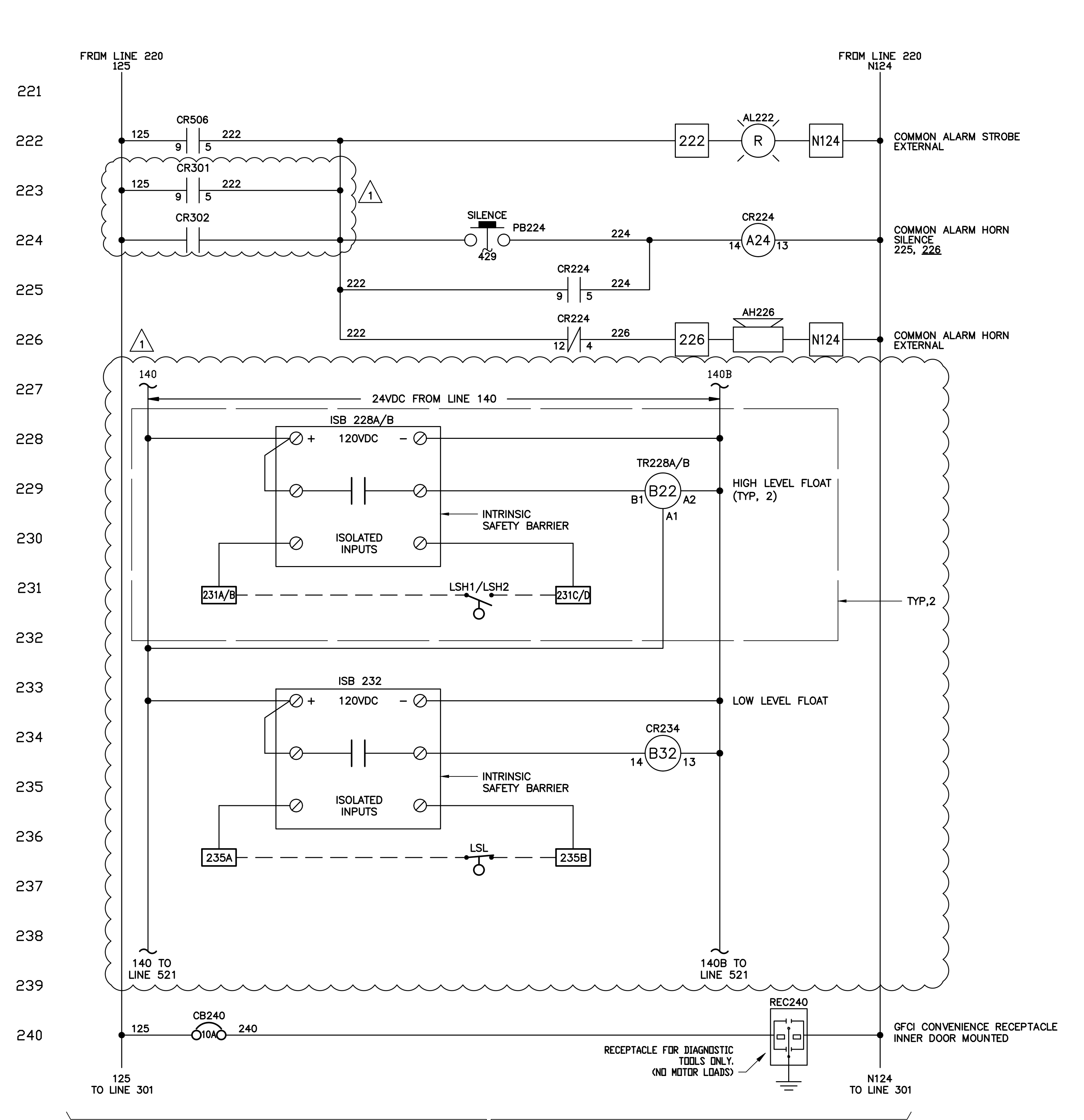
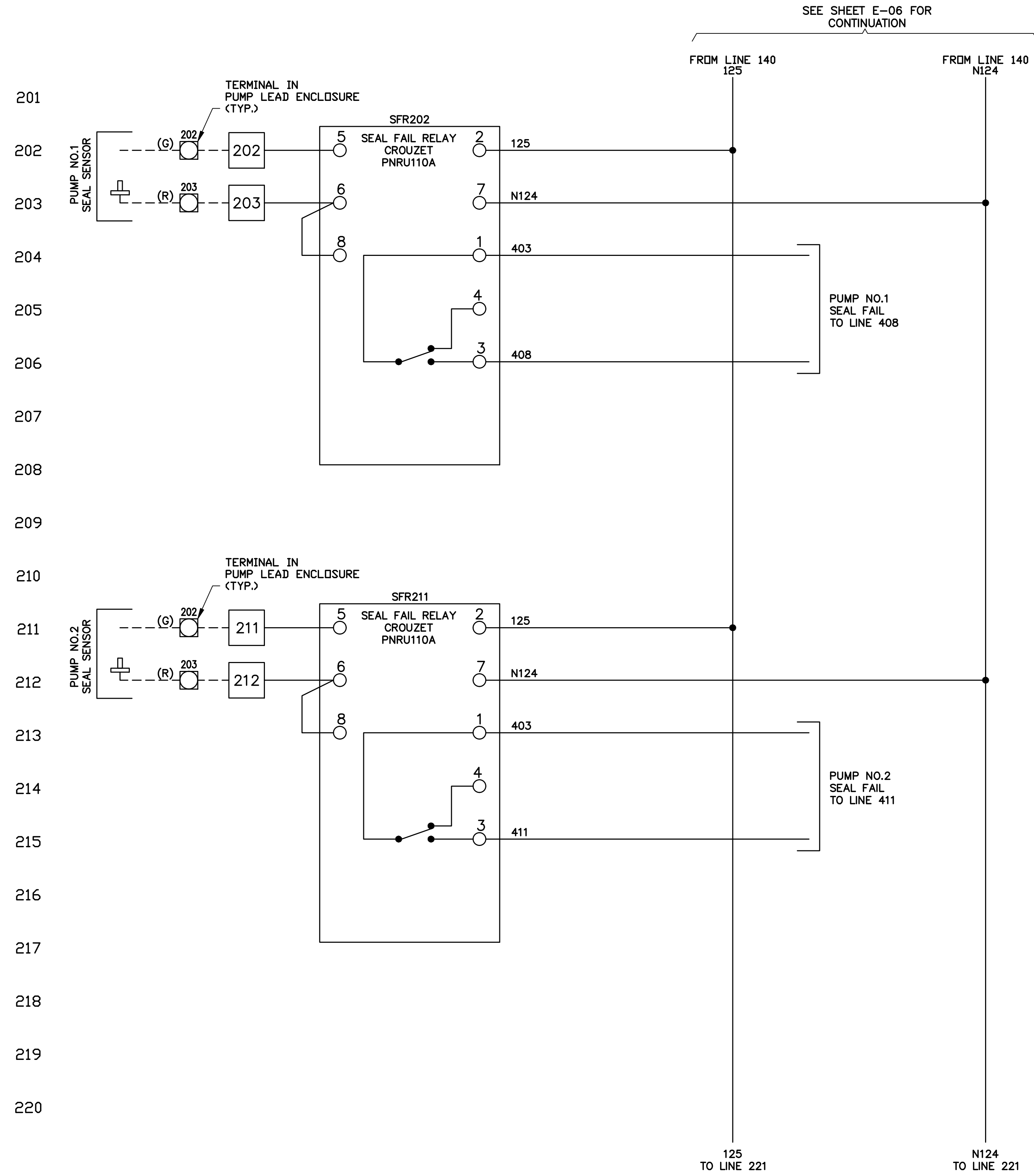
SHEET NUMBER  
**E-03**

10620 GRIFFIN ROAD, SUITE 202  
 COOPER CITY, FLORIDA 33328  
 PHONE: (954) 448-7930  
 C.O.A. NO. 6783  
 Stephen E. Bailey, P.E.  
 Florida P.E. No. 42461



X:\Active Projects\Kimley-Horn\North Bay Village Pump Station Upgrade\E-07 SCHEME 2.dwg, 3/9/2022 3:06:52 PM, f6b9b

This document, together with the concepts and designs presented herein, is intended only for the specific purpose and design for which it was prepared. Release of and improper reliance on this document without written authorization and adaptation by Kimley-Horn and Associates, Inc. shall be without liability to Kimley-Horn and Associates, Inc.



No.	REVISIONS	DATE	BY
	ADDENDUM NO. 6	03/09/22	SEB

600 NORTH PINE ISLAND ROAD, SUITE 450, PLANTATION, FL 33324  
 PHONE: 954-535-5100 FAX: 954-739-2247  
 WWW.KIMLEY-HORN.COM CA 00000696

KHA PROJECT	043138041
DATE	MARCH 2022
SCALE	AS SHOWN
DESIGNED BY	SEB
DRAWN BY	SJL
CHECKED BY	SEB

**SOUTH TREASURE DRIVE PUMP STATION IMPROVEMENTS**

PREPARED FOR  
**NORTH BAY VILLAGE**

NORTH BAY VILLAGE

LICENSED PROFESSIONAL

**STEPHEN E. BAILEY, P.E.**

FLORIDA LICENSE NUMBER  
 42461

FLORIDA DATE: 03/09/22

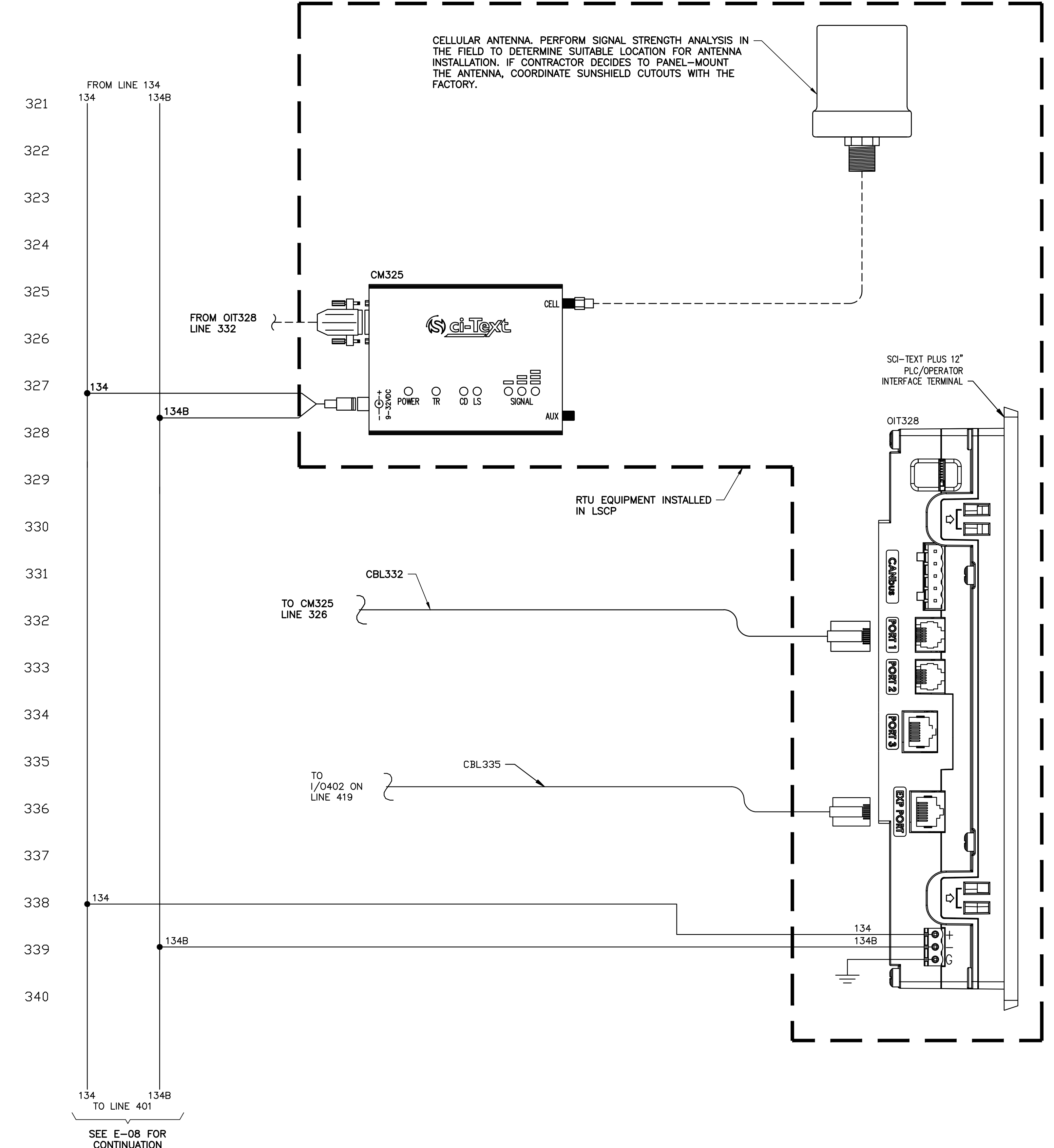
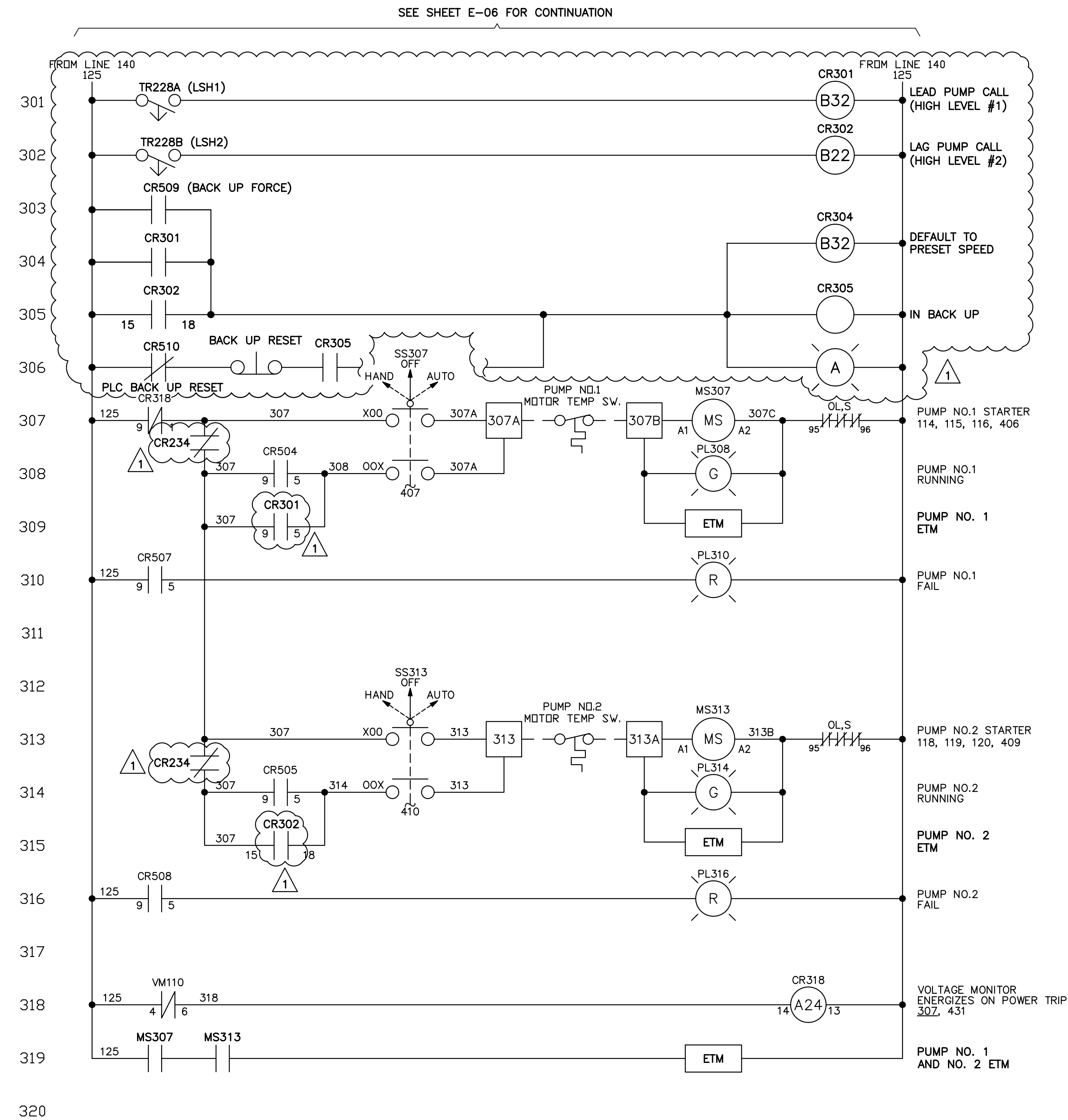
**CONTROL PANEL ELEMENTARY DIAGRAM - SHEET 2**

10620 GRIFFIN ROAD, SUITE 202  
 COOPER CITY, FLORIDA 33328  
 PHONE: (954) 448-7930  
 C.O.A. NO. 6783  
 Stephen E. Bailey, P.E.  
 Florida P.E. No. 42461

KNOW WHAT'S BELOW  
 ALWAYS CALL 811  
 BEFORE YOU DIG  
 It's fast. It's free. It's the law.  
 www.call811.com

SHEET NUMBER  
**E-07**

This document, together with the concept and designs presented herein, is intended only for the specific purpose and shall be without liability to Kimley-Horn and Associates, Inc. shall be without liability to Kimley-Horn and Associates, Inc.



10620 GRIFFIN ROAD, SUITE 202  
 COOPER CITY, FLORIDA 33328  
 PHONE: (954) 448-7930  
 C.O.A. NO. 6783  
 Stephen E. Bailey, P.E.  
 Florida P.E. No. 42461



No.	REVISIONS	DATE	BY
	ADDENDUM NO. 6	03/09/22	SEB

Kimley » Horn

600 NORTH PINE ISLAND ROAD, SUITE 450, PLANTATION, FL 33324  
 PHONE: 954-535-5100 FAX: 954-739-2247  
 WWW.KIMLEY-HORN.COM CA 0000696

KHA PROJECT	043138041
DATE	MARCH 2022
SCALE	AS SHOWN
DESIGNED BY	SEB
DRAWN BY	SJL
CHECKED BY	SEB

SOUTH TREASURE DRIVE PUMP  
STATION IMPROVEMENTS

PREPARED FOR  
**NORTH BAY VILLAGE**

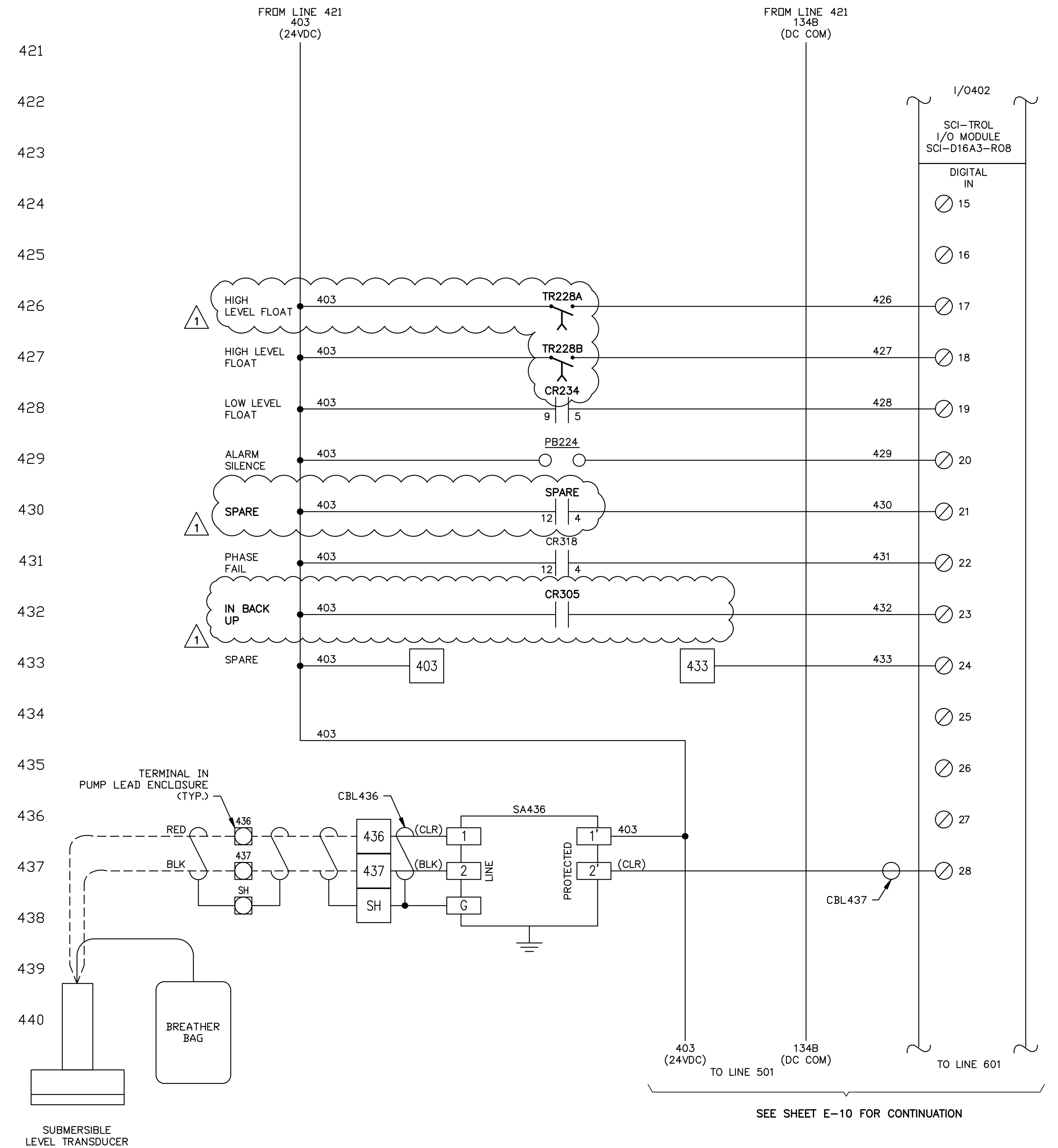
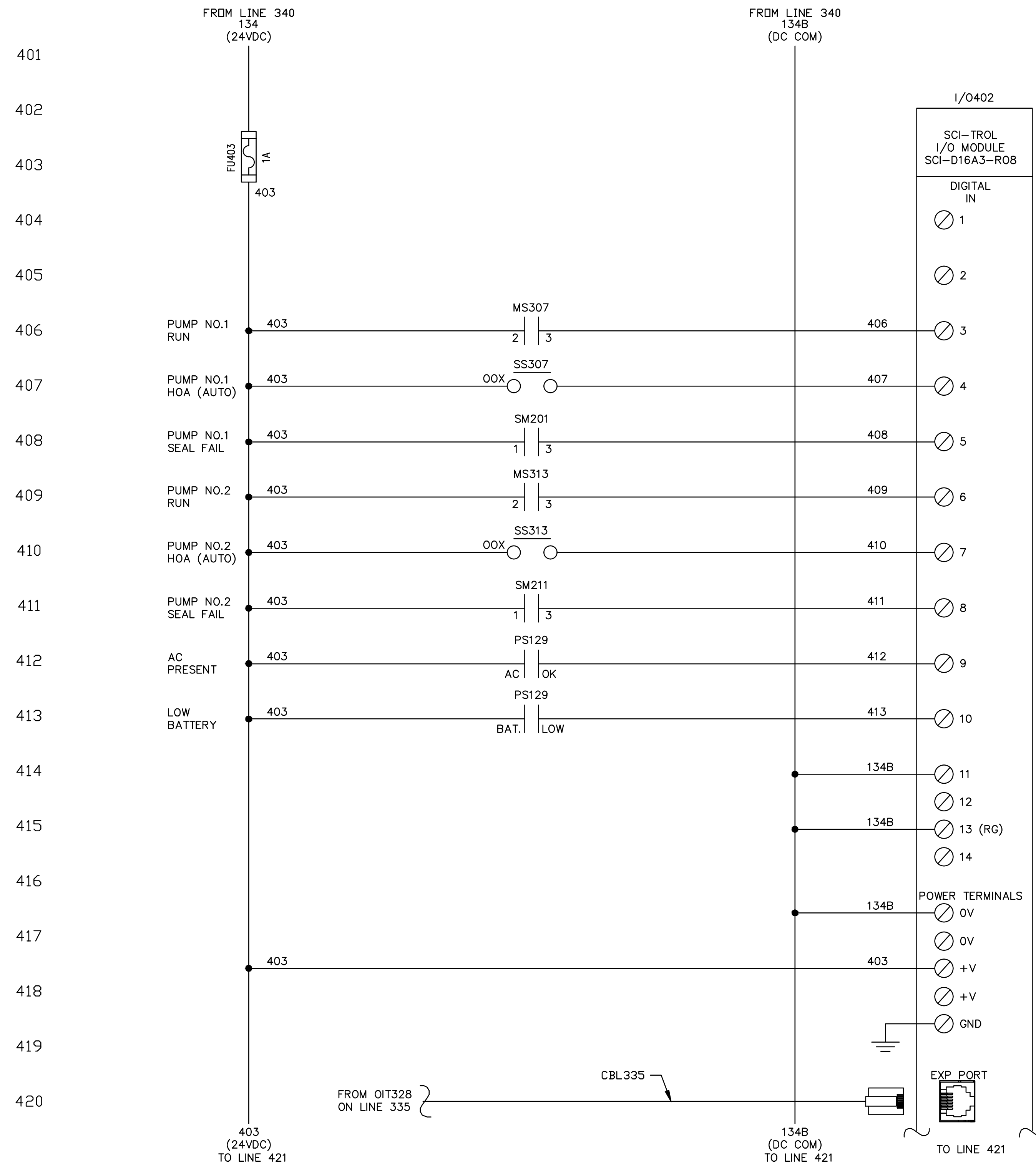
LICENSED PROFESSIONAL  
 STEPHEN E. BAILEY, P.E.  
 FLORIDA LICENSE NUMBER  
 42461  
 DATE: 03/09/22

CONTROL PANEL ELEMENTARY  
DIAGRAM - SHEET 3

SHEET NUMBER  
**E-08**

X:\Active Projects\Kimley-Horn\North Bay Village Pump Station Upgrade\11\_Add 05 Treasue Drive\08 SCHEME E-08 SHEET E-08 SHEET 3.dwg, 3/9/2022 5:05:54 PM, f6ba9

SEE SHEET E-08 FOR CONTINUATION



SEE SHEET E-10 FOR CONTINUATION

This document, together with the concepts and designs presented herein, is intended only for the specific purpose and client for which it was prepared. Reuse of and improper reliance on this document without written authorization and adaptation by Kimley-Horn and Associates, Inc. shall be without liability to Kimley-Horn and Associates, Inc.

No.	REVISIONS	DATE	BY
	ADDENDUM NO. 6	03/09/22	SEB

**Kimley»Horn**  
 600 NORTH PINE ISLAND ROAD, SUITE 450, PLANTATION, FL 33324  
 PHONE: 954-535-5100 FAX: 954-739-2247  
 WWW.KIMLEY-HORN.COM CA 0000696

KHA PROJECT 043138041
DATE MARCH 2022
SCALE AS SHOWN
DESIGNED BY SEB
DRAWN BY SJL
CHECKED BY SEB

**SOUTH TREASURE DRIVE PUMP  
STATION IMPROVEMENTS**  
 PREPARED FOR  
**NORTH BAY VILLAGE**  
 NORTH BAY VILLAGE  
 FLORIDA

LICENSED PROFESSIONAL  STEPHEN E. BAILEY, P.E.  FLORIDA LICENSE NUMBER 42461  DATE: 03/09/22
---

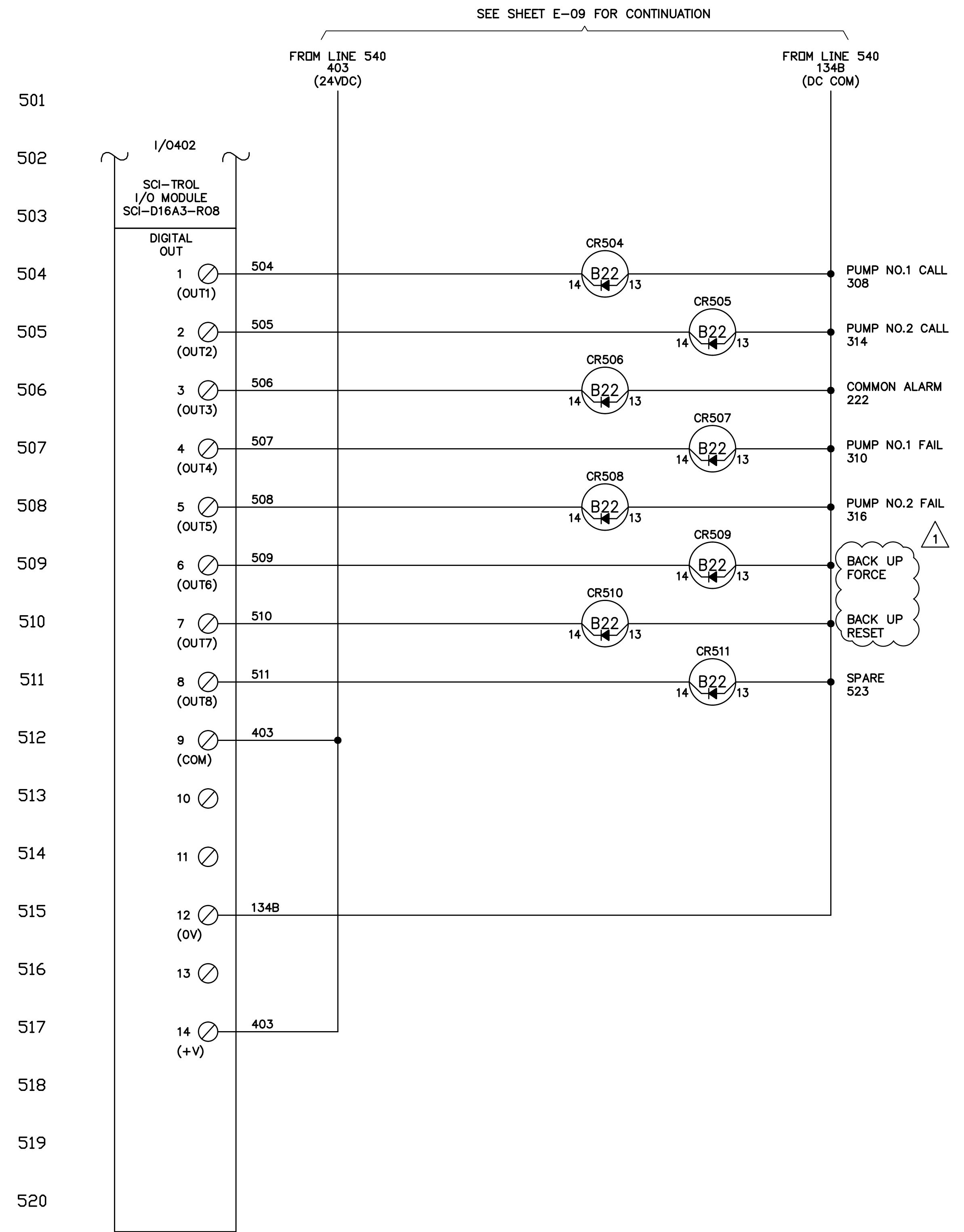
**CONTROL PANEL ELEMENTARY  
DIAGRAM - SHEET 4**

SHEET NUMBER  <b>E-09</b>
---------------------------------

10620 GRIFFIN ROAD, SUITE 202  
 COOPER CITY, FLORIDA 33328  
 PHONE: (954) 448-7930  
 C.O.A. NO. 6783  
 Stephen E. Bailey, P.E.  
 Florida P.E. No. 42461



This document, together with the concept and design presented herein, is intended only for the specific purpose and client for which it was prepared. Reuse of and improper reliance on this document without written authorization and adaptation by Kimley-Horn and Associates, Inc. shall be without liability to Kimley-Horn and Associates, Inc. X:\Active Projects\Kimley-Horn\North Bay Village Pump Station Upgrades\11\_Add 615 Treasures Drive\Single E-10 SCHEME 5.dwg, 3/9/2022, 3:06:59 PM, f6ba6



No.	REVISIONS	DATE	BY

**Kimley Horn**

600 NORTH PINE ISLAND ROAD, SUITE 450, PLANTATION, FL 33324  
 PHONE: 954-535-5100 FAX: 954-739-2247  
 WWW.KIMLEY-HORN.COM CA 00000696

KHA PROJECT 043138041
DATE MARCH 2022
SCALE AS SHOWN
DESIGNED BY SEB
DRAWN BY S.JL
CHECKED BY SEB

**SOUTH TREASURE DRIVE PUMP  
STATION IMPROVEMENTS**

PREPARED FOR  
**NORTH BAY VILLAGE**

FLORIDA

LICENSED PROFESSIONAL  
STEPHEN E. BAILEY, P.E.  
FLORIDA LICENSE NUMBER  
42461  
DATE: 03/09/22

**CONTROL PANEL ELEMENTARY  
DIAGRAM - SHEET 5**

SHEET NUMBER  
**E-10**

10620 GRIFFIN ROAD, SUITE 202  
 COOPER CITY, FLORIDA 33328  
 PHONE: (954) 448-7930  
 C.O.A. NO. 6783  
 Stephen E. Bailey, P.E.  
 Florida P.E. No. 42461

