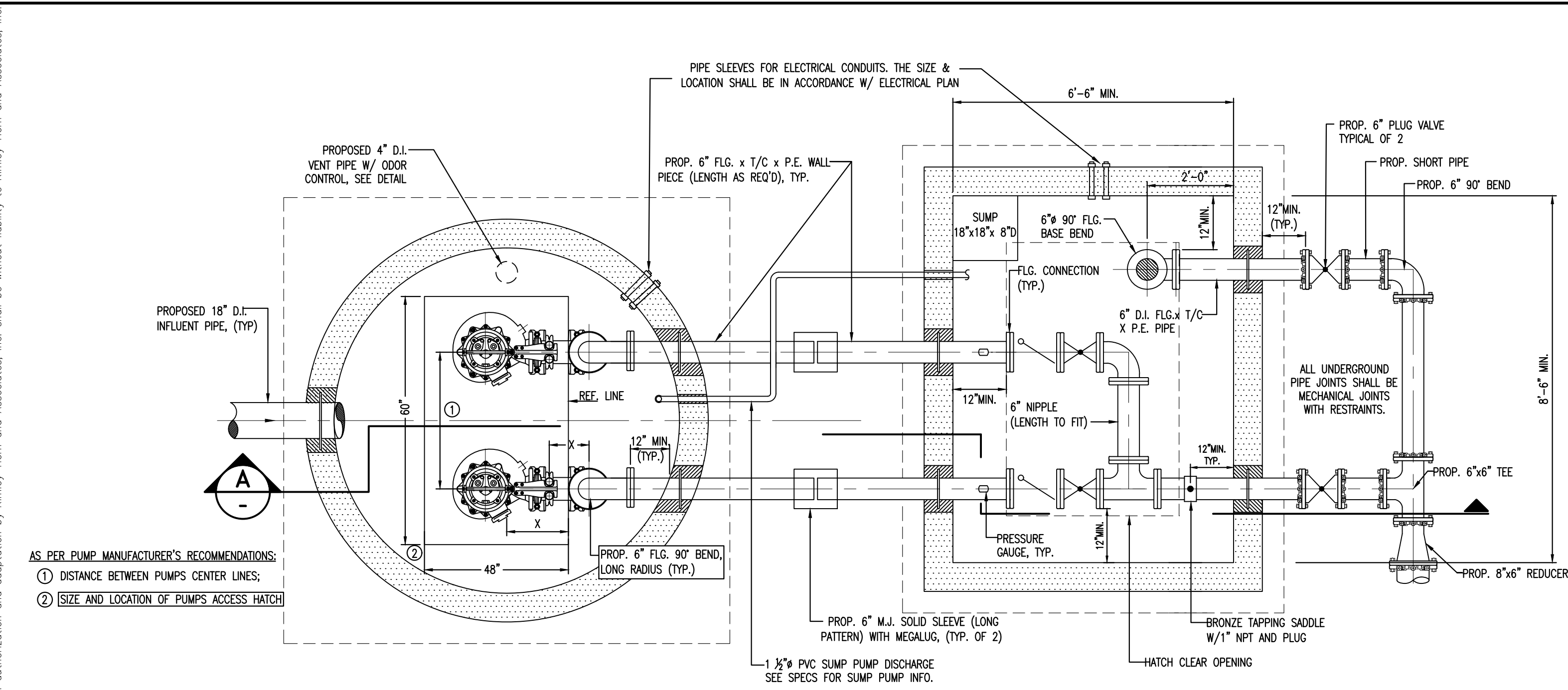
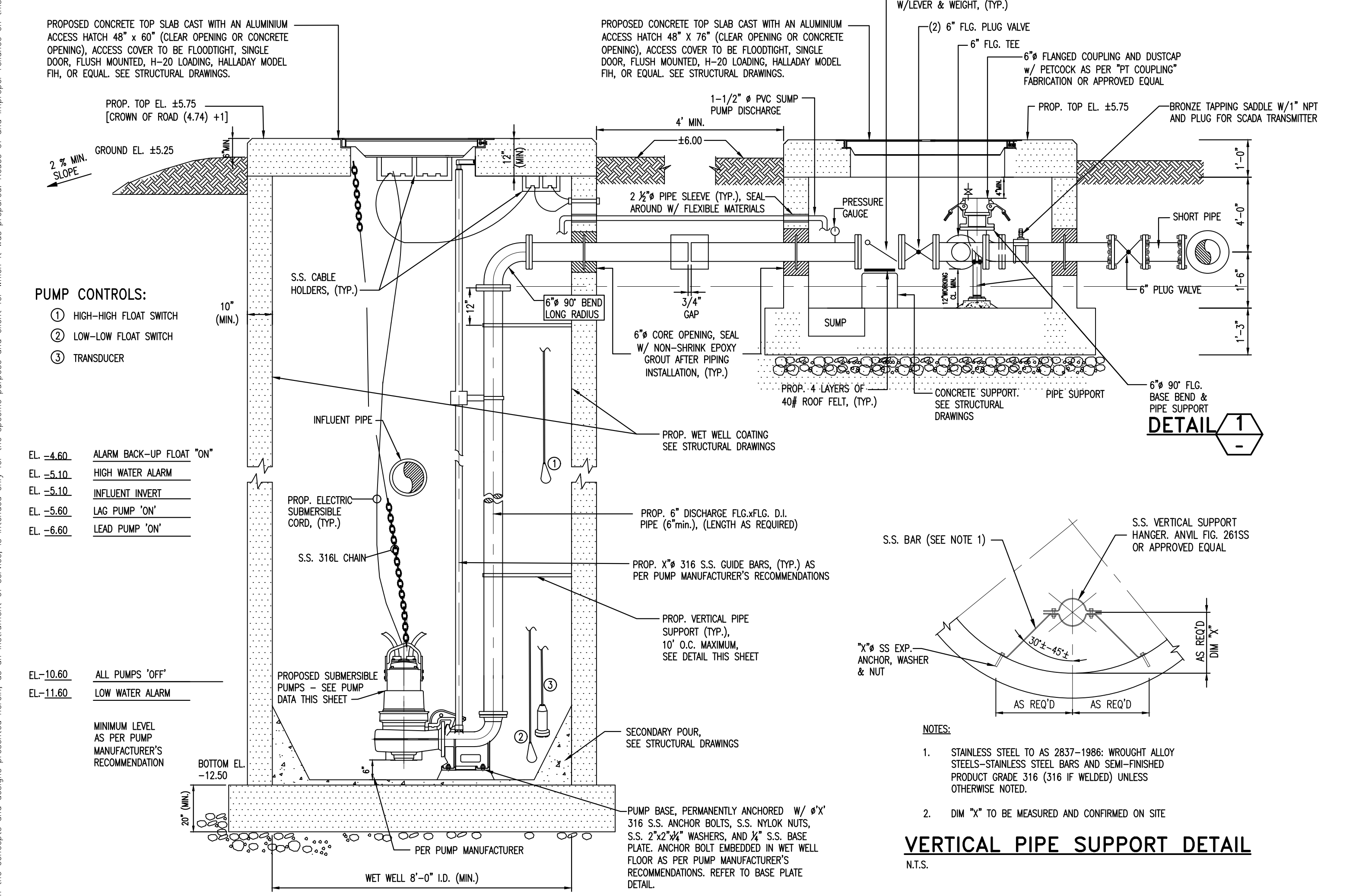


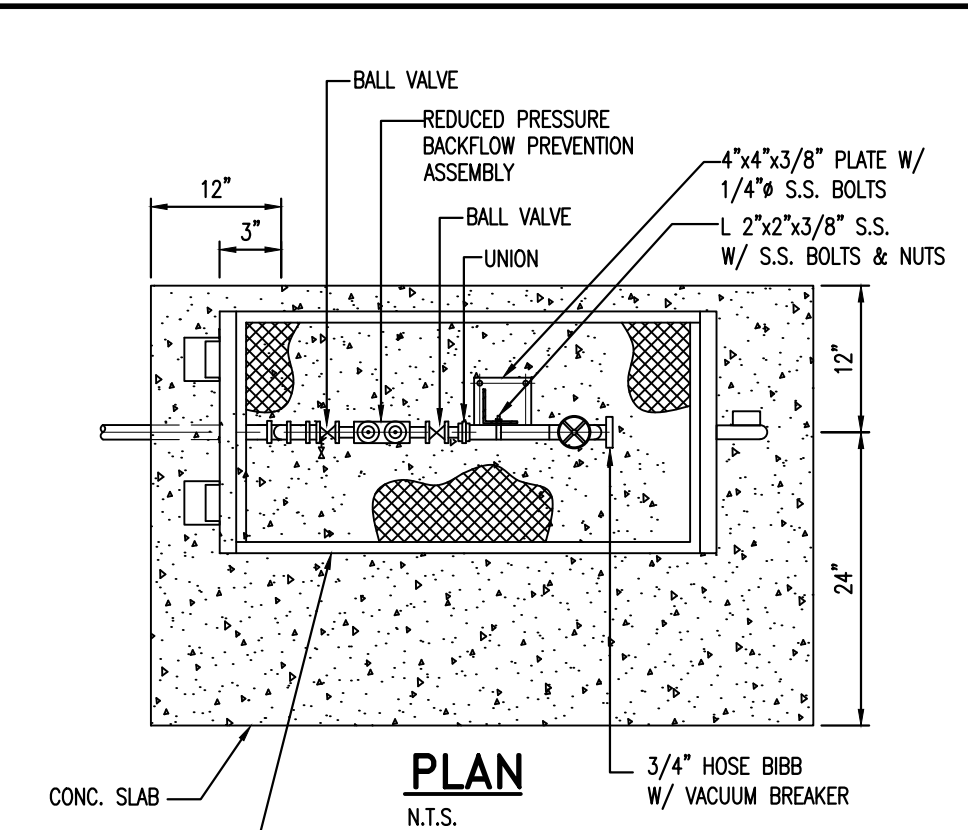
Sheet: S-NORTH BAY VILLAGE-HISPANOLA LIFT STATION IMPROVEMENTS-Layout-C300.0-PUMP STATION DETAILS-04-18-22
 Plotted By: LaBonia, Stephen
 This document, together with the concepts and design presented herein, as an instrument of service, is intended only for the specific purpose and client for which it was prepared. Reuse of and improper reliance on this document without written authorization and approval by Kimley-Horn and Associates, Inc. shall be without liability to Kimley-Horn and Associates, Inc.



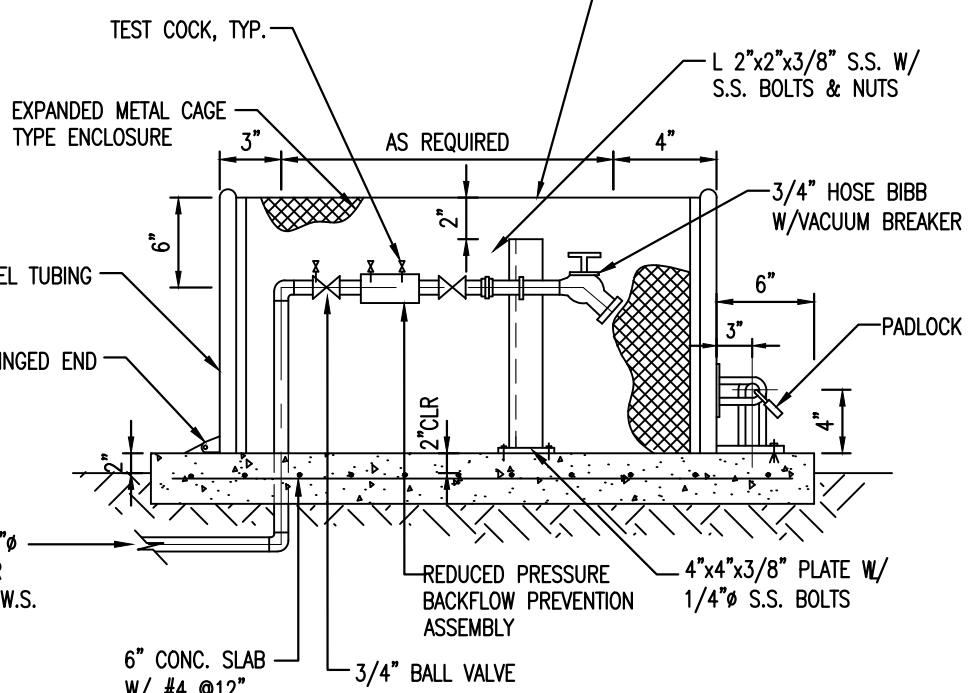
WET WELL AND VALVE VAULT PLAN
N.T.S.



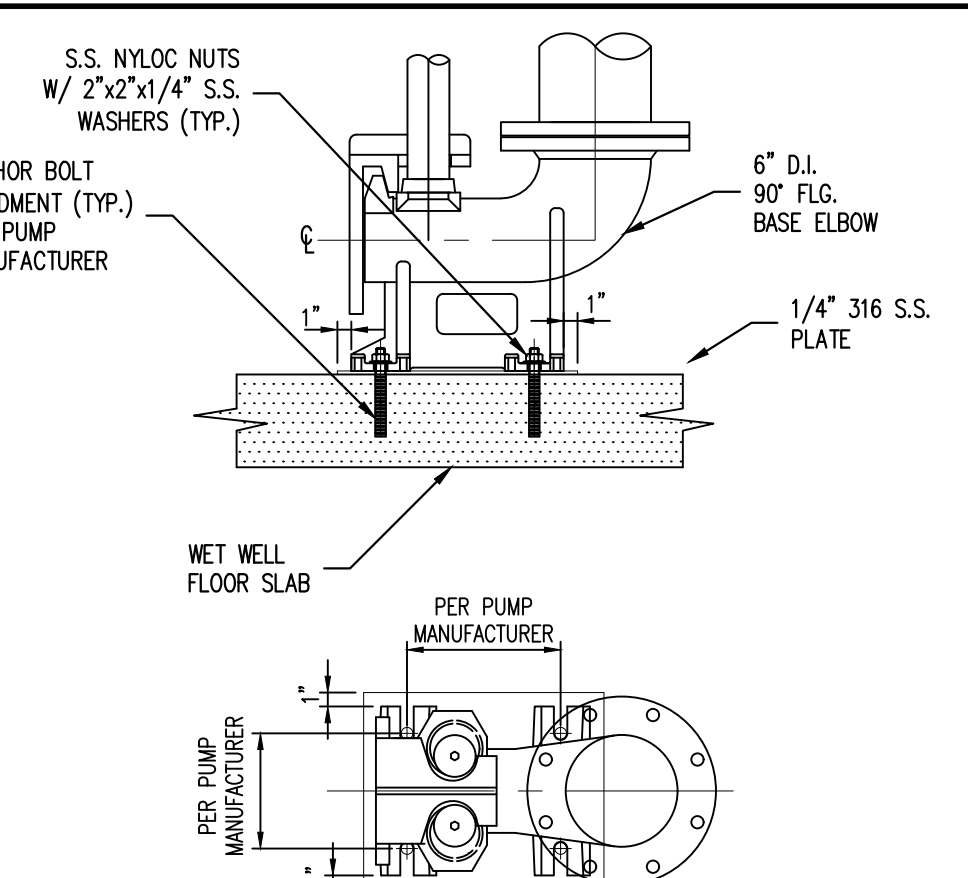
SECTION A
N.T.S.



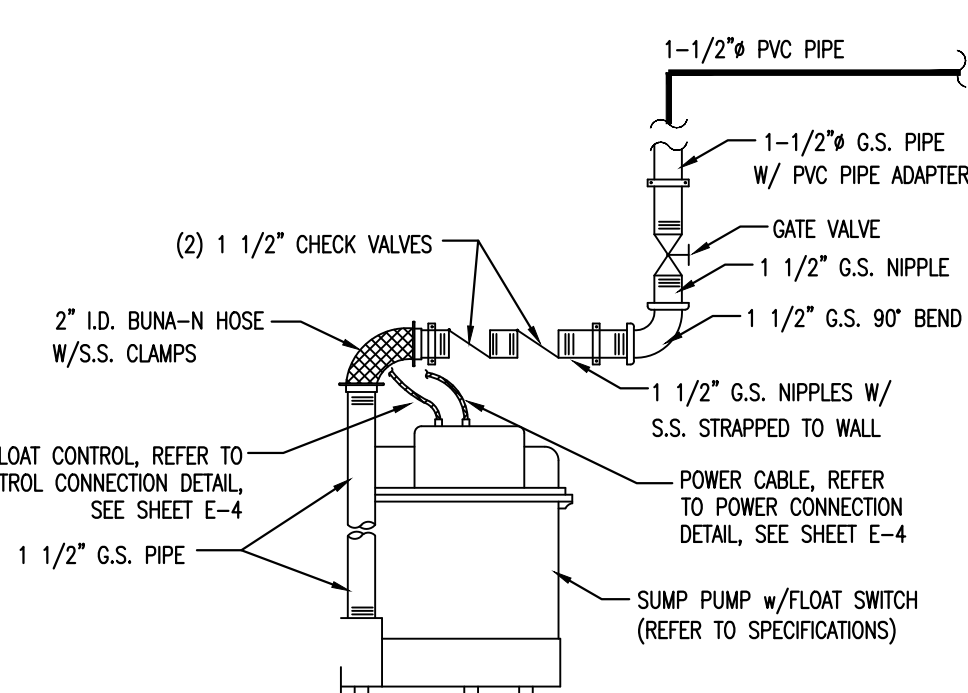
PLAN
N.T.S.



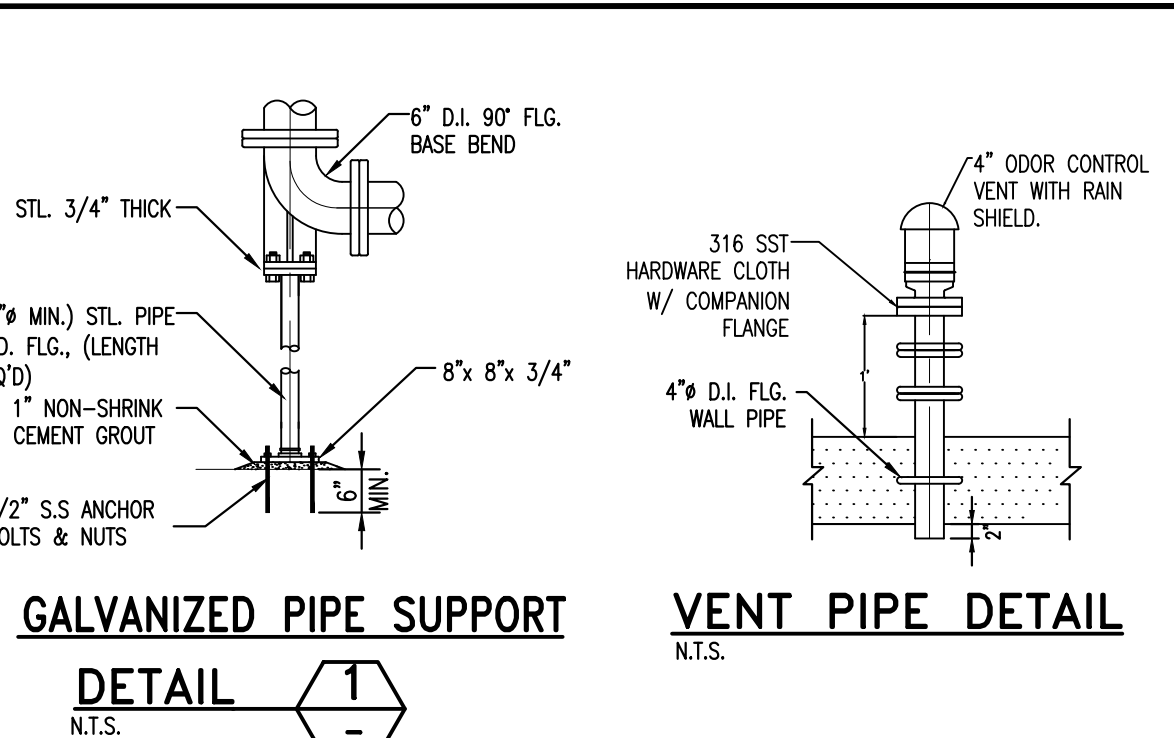
BACKFLOW PREVENTER WITH HOSE BIBB
N.T.S.



BASE PLATE DETAIL
N.T.S.



SUMP PUMP AND PIPING DETAIL
N.T.S.



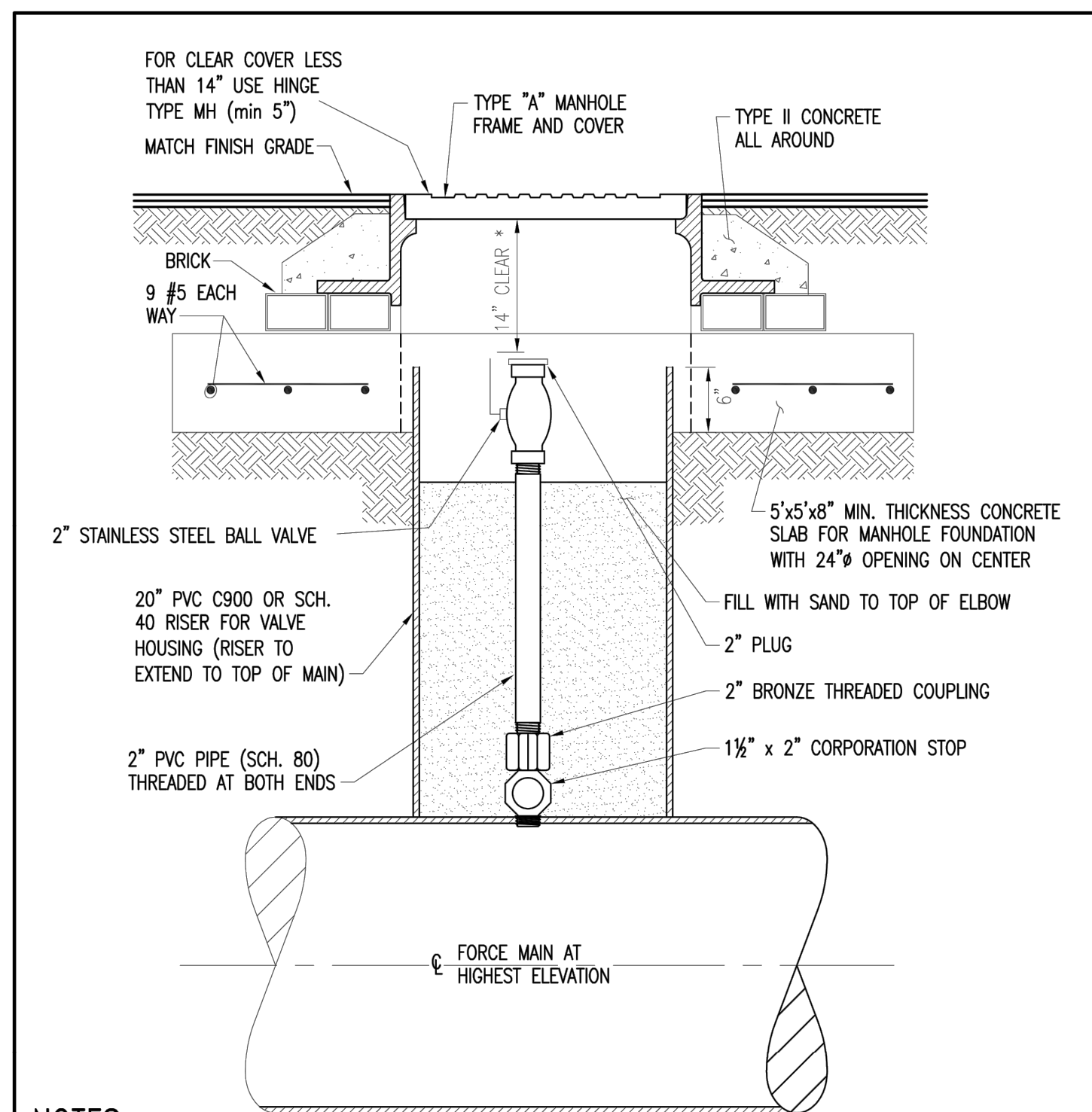
GALVANIZED PIPE SUPPORT
DETAIL 1
N.T.S.

VENT PIPE DETAIL
N.T.S.

PUMP DATA:	
FLUID	RAW SEWAGE
INSTALLATION LOCATION	HISPANOLA AVENUE AND NORTH TREASURE DRIVE
PUMP TYPE	SUBMERSIBLE PUMP
RATED POINT	CAPACITY, GPM: 983 TDH, FEET: 147
SHUT OFF HEAD, FT	210
CONTINUOUS OPERATING RANGE	MAXIMUM TDH, FT: 121
	CAPACITY, GPM: 1,350
	MINIMUM TDH, FT: 171
	CAPACITY, GPM: 627
PUMP EFFICIENCY	AT B.E.P., %: 67
	MIN. @ RUNDOUT, %: 60
PUMP CONSTRUCTION	CASING: CAST IRON CLASS 35B
	IMPELLER: CAST IRON CLASS 35B
	SHAFT: AISI 420 S.S.
	BEARINGS L-10 LIFE, HRS.: AS SPECIFIED
	MAX. SHAFT DEFLECTION IN OPERATING RANGE, MILS: 2
	MAX. VEL. OF VIBRATIONS IN OP. RANGE, INCH/SEC: 0.15
ELECTRIC MOTOR	SUCTION, INCHES: -
	DISCHARGE, INCHES: 4
	RATED HP: 70
	RPM: 1,750
	VOLTS/PHASE/Hz/S.F.: 460/3/60/1.15
	AMBIENT TEMP. FOR MOTOR RATING, °C: 40
	MAXIMUM TEMP. RISE, °C: 40
	BEARINGS L-10 LIFE, HRS.: AS SPECIFIED
	MAX. VIBRATION AMP., MILS: 0.1
	EXPLOSION PROOF: CLASS 1, DIV 1, GRP D
NEMA DESIGN CODE LETTER: B	
START. CURR. LETTER CODE: G	
INSULATION CLASS: H	
MOTOR RATED HP NOT OVERLOADED AT ANY POINT IN THE PUMPS PERFORMANCE CURVE	
MANUFACTURERS & MODELS	PUMP: AS SPECIFIED
	MOTOR: AS SPECIFIED

MECHANICAL NOTES:

1. THE STANDARD DRAWINGS PRESENTED ARE BASED ON MINIMUM OF 6" DISCHARGE FORCE MAIN.
2. CONTRACTOR SHALL VERIFY EXISTING UNDERGROUND UTILITIES IN APPLICATIONS, ELEVATIONS, AND QUALITIES PRIOR TO CONSTRUCTION. THE CONTRACTOR SHALL VERIFY EXISTING PIPING TO REMAIN BEFORE ORDERING NEW PIPE AND FITTINGS FOR CONNECTIONS. THE CONTRACTOR SHALL INSPECT AND VERIFY ALL SITE CONDITIONS, DIMENSIONS, ELEVATIONS ETC. AND COORDINATE WITH OTHER TRADES PRIOR TO CONSTRUCTION. WORK SHALL BE SCHEDULED ACCORDING TO SPECIFIED CONSTRUCTION SEQUENCE.
3. PAY ATTENTION TO AVOID DISTURBING EXISTING ELECTRICAL SERVICE IN THE AREA UNDER CONSTRUCTION (FOR EXISTING FACILITIES ONLY).
4. ALL ELEVATIONS FOR UNDERGROUND UTILITIES SHOWN ARE T.O.P. ELEVATIONS UNLESS OTHERWISE SPECIFIED.
5. ALL PIPING, UNLESS SPECIFIED, TO USE DUCTILE IRON WITH LINING OF SEWER APPLICATION. FITTINGS AND CONNECTIONS UNDERGROUND TO USE MECHANICAL JOINT WITH RESTRAINTS; FITTINGS ABOVE GROUND OR IN VAULT TO USE FLANGE JOINT.
6. PROTECT ALL UNDERGROUND FITTING WITH BOLT CONNECTIONS IN DIRECT CONTACT WITH SOIL WITH TWO COATS OF BITUMASTIC MATERIAL OR APPROVED EQUAL. PROVIDE DIELECTRIC FITTINGS BETWEEN TWO DIFFERENT PIPING MATERIALS.
7. PIPE SUPPORTS SHALL BE HOT-DIP GALVANIZED AFTER FABRICATION.
8. PROPOSED WET WELL SHALL BE CYLINDRICAL TYPE MADE OF REINFORCED CONCRETE WITH DEPTH NO GREATER THAN 24 FEET.
9. PROVIDE SPARK-PROOF CONTACT BETWEEN PUMPS AND GUIDE RAIL SYSTEM.
10. ALL PUMP CONTROLS SHALL BE SET AS PER DESIGN REQUIREMENTS.



NOTES:

1. AUTOMATIC AIR RELEASE VALVES ARE REQUIRED UNLESS APPROVED BY DEPARTMENT. MANUAL AIR RELEASE VALVES ARE ONLY USED WHERE GROUND COVER DOES NOT ALLOW FOR AN AUTOMATIC ARV OR AT LOCATIONS REQUIRED TO BLEED THE FM FOR TESTING.
2. AIR RELEASE RISER AND PVC PIPE HOUSING SHALL BE PLACED AND MAINTAINED IN VERTICAL POSITION.
3. METALLIC THREADS TO BE COATED WITH BITUMASTIC COATING.
4. INSTALL TAPPING SADDLE FOR THICKNESS CLASS D.I. MAINS 4" & SMALLER, PRESSURE CLASS D.I. MAINS 8" & SMALLER, OR WHEN MAIN IS PVC, HDPE, OR AC PIPE.
5. FOR MANHOLE/VALVE BOX IN GRASS AREAS, SEE SS 21.0 SHEET 1 OF 1.

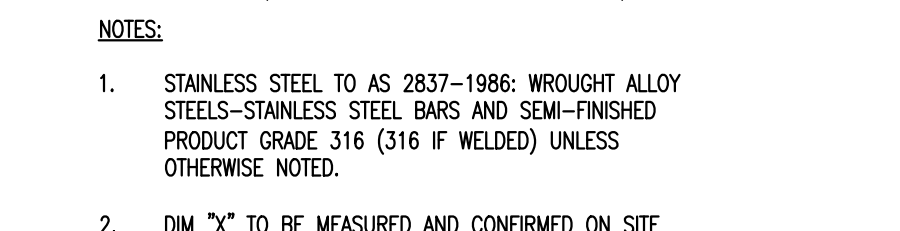
TYPE "A" MANHOLE	SS 4.0
ITEM	CROSS REF.
	SPEC. REF.

MIAMI-DADE COUNTY	ISSUE DATE: 6/29/2011	APPROVED BY: F.A.
WATER & SEWER DEPARTMENT	1/22/2019	D.V.

STANDARD DETAIL
MANUAL AIR RELEASE VALVE ASSEMBLY
IN PAVED AREAS FOR SEWAGE FORCE MAINS

SS 11.0
SHEET 1 OF 2

VERTICAL PIPE SUPPORT DETAIL
N.T.S.



- NOTES:**
1. STAINLESS STEEL TO AS 2837-1986; WROUGHT ALLOY STEELS-STAINLESS STEEL BARS AND SEMI-FINISHED PRODUCT GRADE 316 (316 IF WELDED) UNLESS OTHERWISE NOTED.
 2. DIM "X" TO BE MEASURED AND CONFIRMED ON SITE

No.	REVISIONS	DATE	BY
1	REVISION 1	3/2/2022	SL

Kimley-Horn

© 2022 KIMLEY-HORN AND ASSOCIATES, INC.
8201 PETERS ROAD, SUITE 2200, PLANTATION, FL 33324
PHONE: 954-535-5100 FAX: 954-739-2247
WWW.KIMLEY-HORN.COM REGISTRY No. 35106

KHA PROJECT	043138041
DATE	MARCH 2022
SCALE	AS SHOWN
DESIGNED BY	MM
DRAWN BY	MM
CHECKED BY	GR

HISPANOLA WASTEWATER PUMP STATION IMPROVEMENTS

PREPARED FOR
NORTH BAY VILLAGE

NORTH BAY VILLAGE FLORIDA

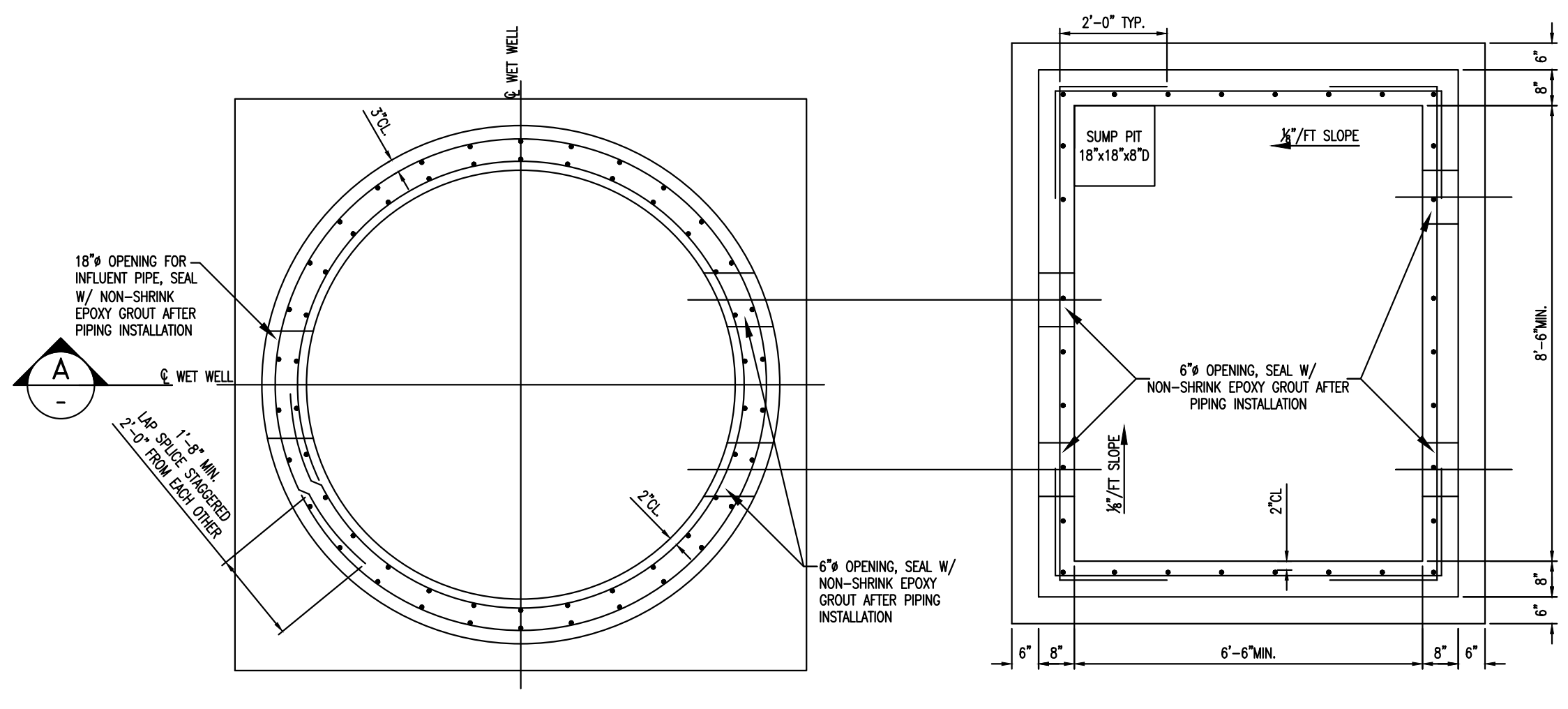
LICENSED PROFESSIONAL	GARY R. RATAY
FLORIDA LICENSE NUMBER	46682
DATE:	3/2/2022

PUMP STATION DETAILS

SHEET NUMBER
C300.0

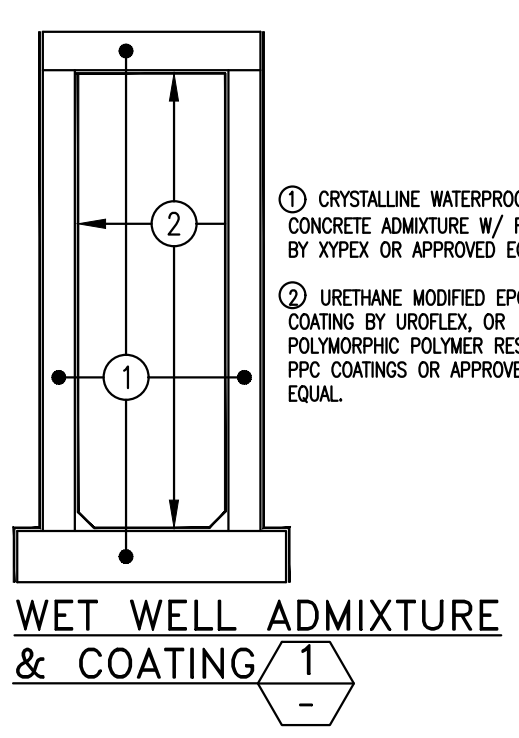
811 KNOW WHAT'S BELOW ALWAYS CALL 811 BEFORE YOU DIG
It's fast. It's free. It's the law.
www.callsunshine.com

Sheet: S-NORTH BAY VILLAGE-HISPANOLA LIFT STATION IMPROVEMENTS-Layout: C400.1 WET WELL AND VALVE VAULT STRUCTURAL PLAN, SECTIONS AND DETAILS March 02, 2022 12:05:33pm K:\AL\civ\A\0423\jobs\043138041-wk_a.dwg 18-03 aw station improve\CAD\Drawings\Hispanola Lift Station Improvements.dwg
 Plotted By: LaBonia, Stephen
 This document, together with the concepts and design presented herein, as an instrument of service, is intended only for the specific purpose and client for which it was prepared. Reuse of and improper reliance on this document without written authorization and adaptation by Kimley-Horn and Associates, Inc. shall be without liability to Kimley-Horn and Associates, Inc.

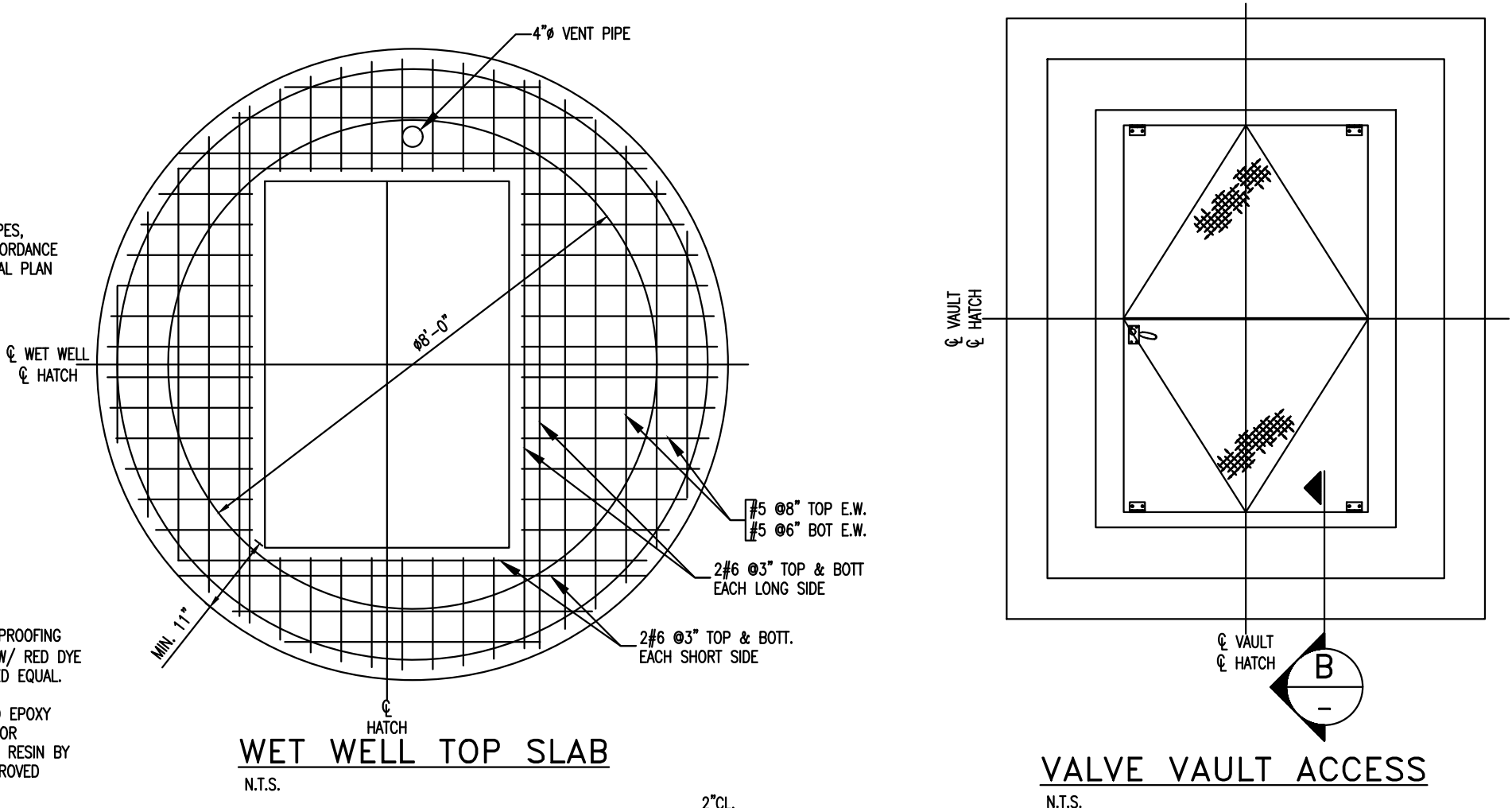


WET WELL AND VALVE VAULT SECTION PLAN
N.T.S.

NOTE:
THE SIZE AND LOCATION OF THE OPENINGS FOR THE PIPES, CONDUITS AND FLOOR ACCESS DOORS SHALL BE IN ACCORDANCE WITH THE DESIGN OF THE PIPING LAYOUT, THE ELECTRICAL PLAN AND AS PER PUMP MANUFACTURERS RECOMMENDATION.

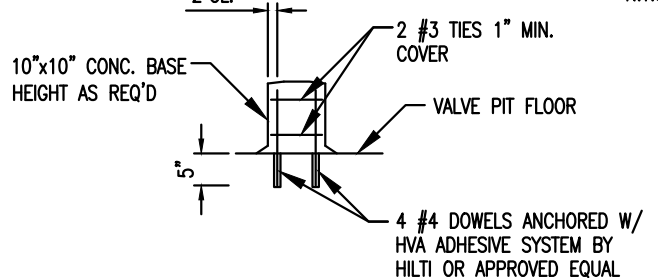


WET WELL ADMIXTURE & COATING
N.T.S.

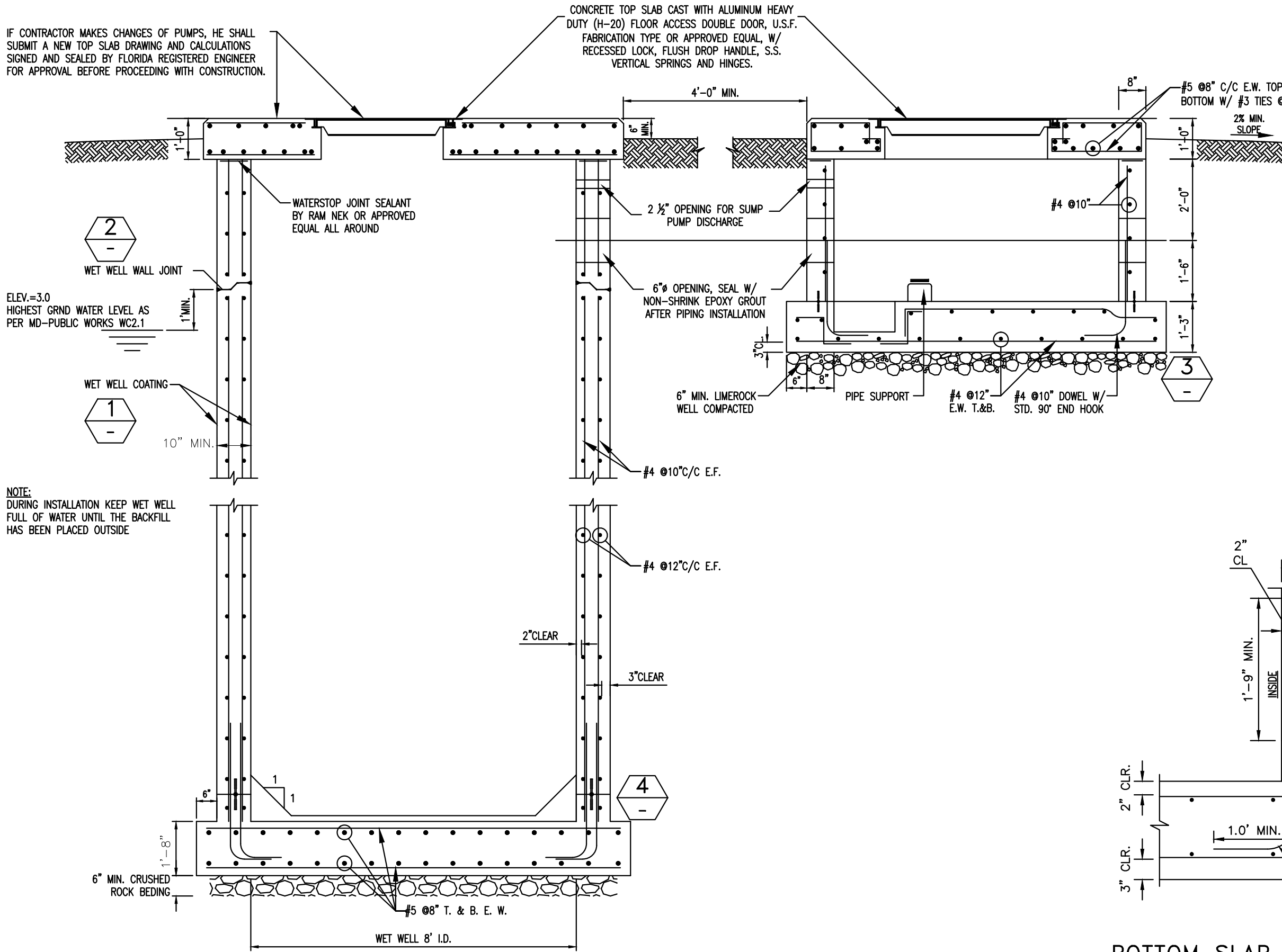


WET WELL TOP SLAB
N.T.S.

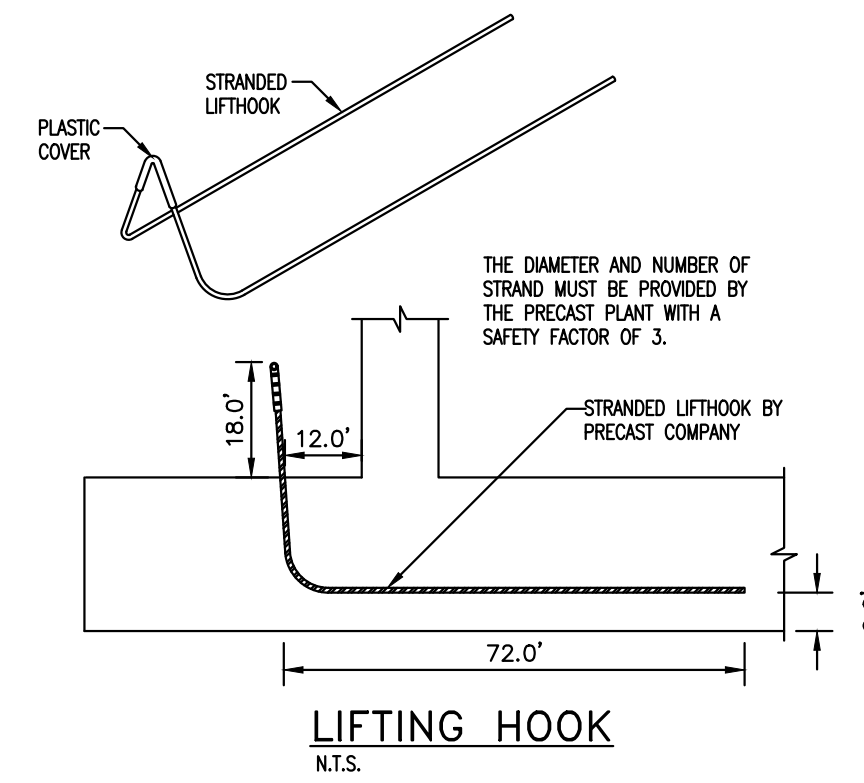
VALVE VAULT ACCESS
N.T.S.



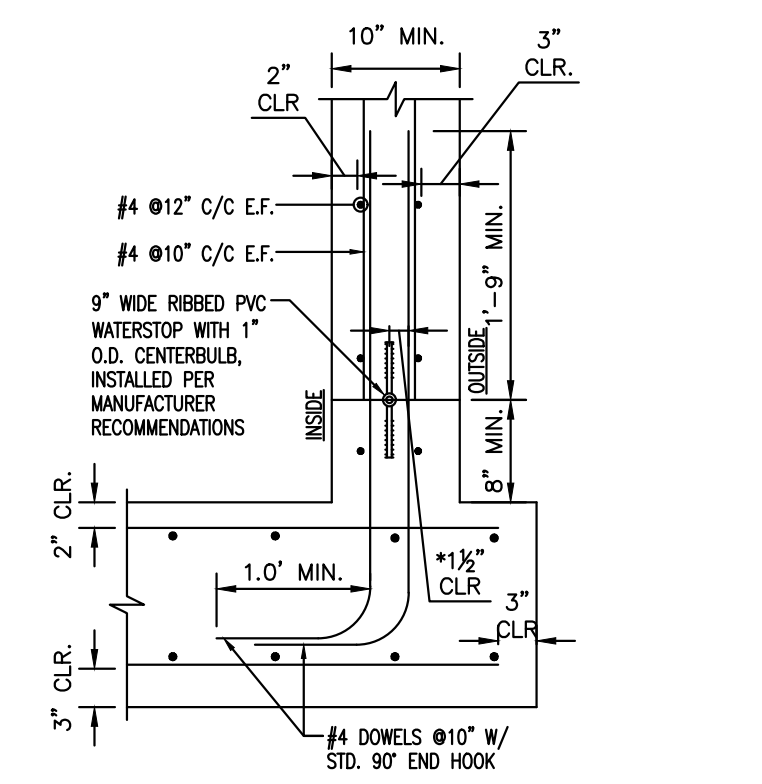
PIPE SUPPORT DETAIL
N.T.S.



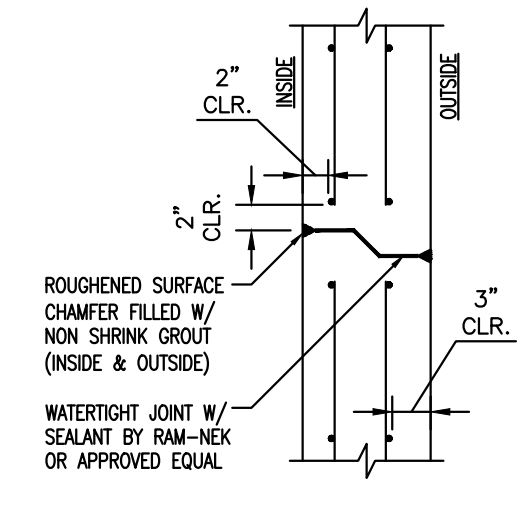
SECTION A
N.T.S.



LIFTING HOOK
N.T.S.



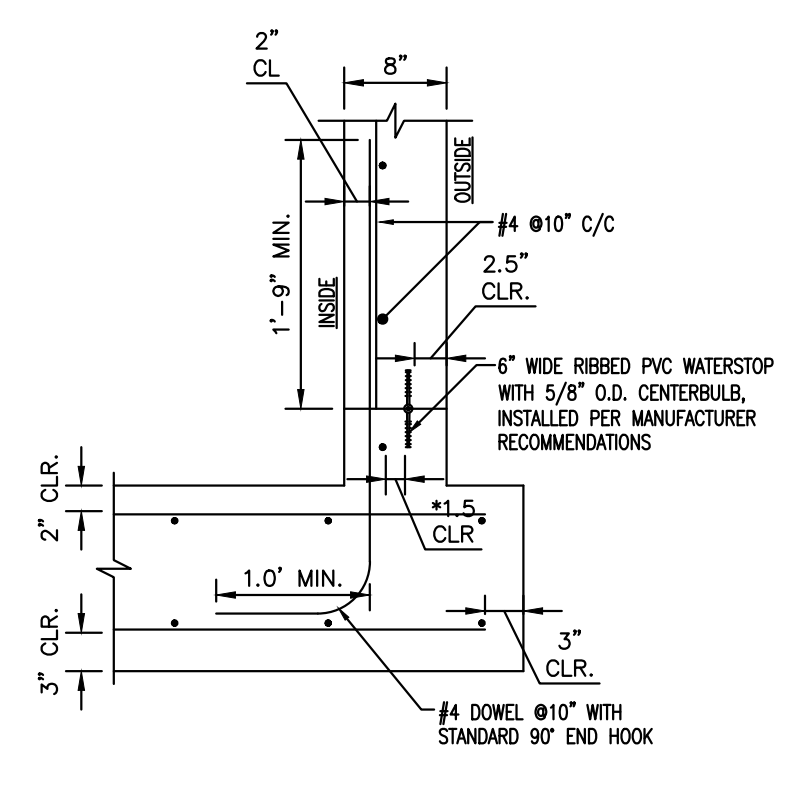
BOTTOM SLAB TO WALL JOINT
N.T.S.



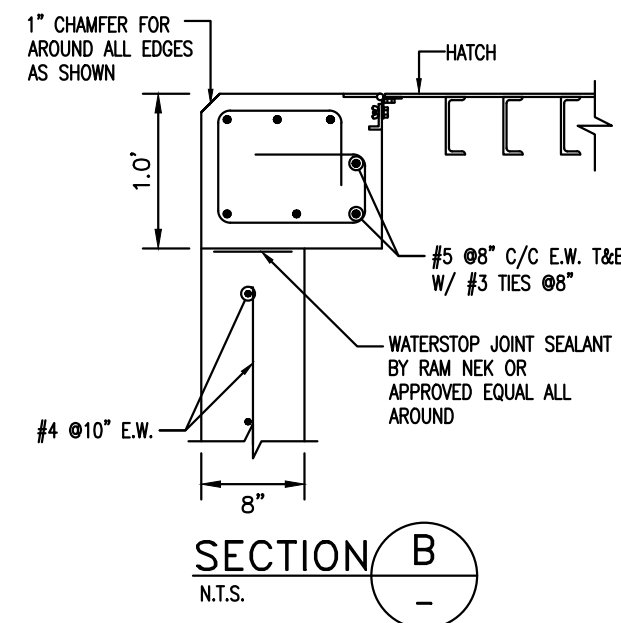
WALL JOINT
N.T.S.

WET WELL CONSTRUCTION JOINTS

NOTE: THE ENTIRE REINFORCED CONCRETE STRUCTURE FOR THE WET WELL SHALL BE WATERPROOF, PREFERABLY NO CONSTRUCTION JOINTS UNDER GROUND WATER LEVEL. MINIMUM DISTANCE BETWEEN WALL JOINTS WITH PVC WATER STOP SHALL BE 8 FT.

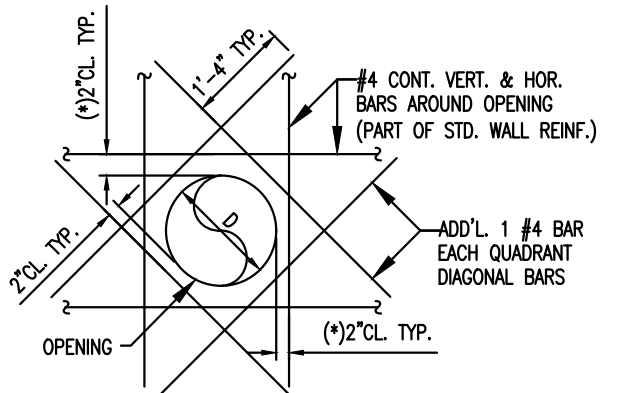


BOTTOM SLAB TO WALL JOINT
N.T.S.



SECTION B
N.T.S.

VALVE VAULT CONSTRUCTION JOINTS



WALL OPENING
TYPICAL ADDITIONAL WALL REINFORCING AROUND HOLE OPENINGS (ROUND OR SQUARE).
 (*) ANY VERTICAL OR HORIZONTAL BAR AT MORE THAN 3" AWAY FROM EDGE OF OPENING SHALL HAVE ADDITIONAL 1 #4 BAR WITH LENGTH=(D+36"), PLACED AT 2" CLEAR FROM OPENING.

No.	REVISIONS	DATE	BY
1	REVISION 1	3/2/2022	SL

Kimley-Horn

© 2022 KIMLEY-HORN AND ASSOCIATES, INC.
 8201 PETERS ROAD, SUITE 2200, PLANTATION, FL 33324
 PHONE: 954-535-5100 FAX: 954-739-2247
 WWW.KIMLEY-HORN.COM REGISTRY No. 35106

HISPANOLA WASTEWATER PUMP STATION IMPROVEMENTS

PREPARED FOR
NORTH BAY VILLAGE

FLORIDA

LICENSED PROFESSIONAL

GARY R. RATAY

FLORIDA LICENSE NUMBER
46682

DATE: 3/2/2022

WET WELL AND VALVE VAULT STRUCTURAL PLAN, SECTIONS, AND DETAILS

SHEET NUMBER
C400.1

FOR BIDDING