



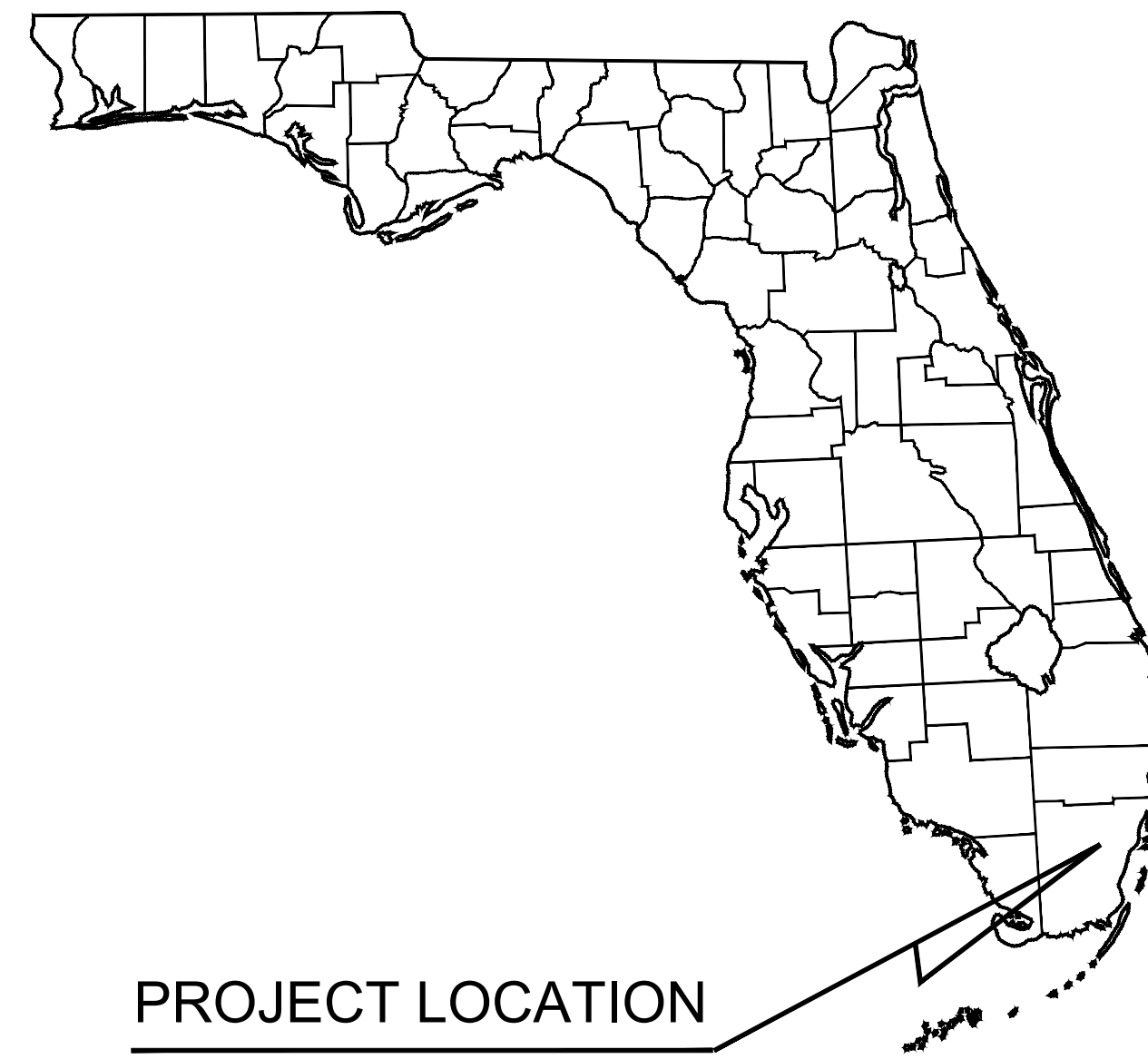
**EXHIBIT D**  
**ITB # 2021-011**  
**PROJECT: WASTEWATER PUMP STATION IMPROVEMENTS**

# NORTH BAY VILLAGE

MIAMI-DADE COUNTY, FLORIDA



# VILLAGE HALL PUMP STATION IMPROVEMENTS



PROJECT LOCATION

### PROJECT TEAM:

#### CIVIL ENGINEER:

Kimley-Horn and Associates, Inc.  
600 North Pine Island Road, Suite 450  
Ft. Lauderdale, FL 33324  
Phone: (954) 535-5100  
Fax: (561) 863-8175  
Contact: Gary Ratay, P.E.

#### CLIENT:

North Bay Village  
1666 Kennedy Causeway, 3rd Floor  
North Bay Village, FL 33141  
Phone: (305) 756-7171  
Fax: (305) 756-7722



LOCATION MAP  
NTS

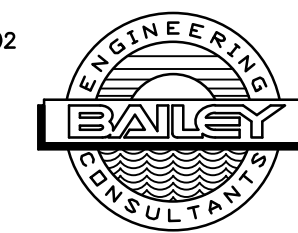
| Sheet List Table |  |
|------------------|--|
| Sheet Number     | Sheet Title  |
| E-00             | COVER SHEET  |
| E-01             | GENERAL NOTES  |
| E-02             | ELECTRICAL SITE PLAN, NOTES, SYMBOLS AND ABBREVIATIONS |
| E-03             | SINGLE LINE DIAGRAM                                    |
| E-04             | CONTROL PANEL DETAILS                                  |
| E-05             | CONTROL PANEL COMPONENT LAYOUT                         |
| E-06             | CONTROL PANEL ELEMENTARY DIAGRAM - SHEET 1             |
| E-07             | CONTROL PANEL ELEMENTARY DIAGRAM - SHEET 2             |
| E-08             | CONTROL PANEL ELEMENTARY DIAGRAM - SHEET 3             |
| E-09             | CONTROL PANEL ELEMENTARY DIAGRAM - SHEET 4             |
| E-10             | CONTROL PANEL ELEMENTARY DIAGRAM - SHEET 5             |
| E-11             | PICTURES AND ANNOTATIONS                               |
| E-12             | ELECTRICAL DETAILS - 1                                 |
| E-13             | ELECTRICAL DETAILS - 2                                 |

### CITY OFFICIALS:

BRENT LATHAM - MAYOR  
MARVIN WILMOTH - VICE MAYOR  
JOSE R. ALVAREZ - COMMISSIONER  
ANDREANA JACKSON - COMMISSIONER  
JULIANNA STROUT - COMMISSIONER

FOR BIDDING

10620 GRIFFIN ROAD, SUITE 202  
COOPER CITY, FLORIDA 33328  
PHONE: (954) 448-7930  
C.O.A. NO. 6783  
Stephen E. Bailey, P.E.  
Florida P.E. No. 42461



| No. | REVISIONS | DATE | BY |
|-----|-----------|------|----|
|     |           |      |    |
|     |           |      |    |
|     |           |      |    |
|     |           |      |    |

## Kimley»Horn

600 NORTH PINE ISLAND ROAD, SUITE 450, PLANTATION, FL 33324  
PHONE: 954-535-5100 FAX: 954-739-2247  
WWW.KIMLEY-HORN.COM CA 00000696

|             |           |
|-------------|-----------|
| KHA PROJECT | 043138041 |
| DATE        | May 2020  |
| SCALE       | AS SHOWN  |
| DESIGNED BY | SEB       |
| DRAWN BY    | SJL       |
| CHECKED BY  | SEB       |

VILLAGE HALL  
PUMP STATION IMPROVEMENTS  
PREPARED FOR  
NORTH BAY VILLAGE

NORTH BAY VILLAGE

LICENSED PROFESSIONAL  
STEPHEN E. BAILEY  
FLORIDA LICENSE NUMBER  
42461  
DATE: 05/12/20

FLORIDA DATE: 05/12/20

COVER SHEET

SHEET NUMBER

E-00

This document, together with the concepts and designs presented herein, is intended only for the specific purpose and client for which it was prepared. Reuse of and improper reliance on this document without written authorization and adaptation by Kimley-Horn and Associates, Inc. shall be without liability to Kimley-Horn and Associates, Inc.

X:\Active Projects\Kimley-Horn\North Bay Village Pump Station Improvements\05\_COVER SHEET.dwg, 5/12/2020 4:16:00 PM, dmanm

This document, together with the concepts and designs presented herein, as an instrument of service, is intended only for the specific purpose and client for which it was prepared. Reuse of and improper reliance on this document without written authorization and adaptation by Kimley-Horn and Associates, Inc. shall be without liability to Kimley-Horn and Associates, Inc.

**CONSTRUCTION NOTES:**

1. CONTRACTOR TO SUBMIT MAINTENANCE OF TRAFFIC PLAN PER APPLICABLE FDOT STANDARD INDEXES FOR APPROVAL PRIOR TO START OF WORK.
2. CONNECTIONS TO EXISTING UTILITIES SHALL NOT BE MADE UNTIL ALL NECESSARY CERTIFICATIONS AND APPROVALS HAVE BEEN OBTAINED FROM THE APPROPRIATE AGENCIES. EXISTING UTILITIES MUST REMAIN IN SERVICE UNTIL NEW UTILITIES ARE READY FOR CONNECTION.
3. THE CONTRACTOR IS RESPONSIBLE FOR A DEWATERING PLAN AND A PERMIT THAT WILL PROVIDE PRETREATMENT OF EFFLUENT PRIOR TO DISCHARGE INTO THE EXISTING DRAINAGE SYSTEM. COST TO OBTAIN ALL DEWATERING PERMITS AS NEEDED AND IMPLEMENTING THE DEWATERING PLAN IS TO BE INCLUDED IN THE RELATED BID ITEM FOR THE WORK BEING DONE.
4. ALL APPLICABLE PERMITS MUST BE OBTAINED PRIOR TO COMMENCEMENT OF CONSTRUCTION, AND ALL APPLICABLE FEES AND CHARGES MUST BE PAID PRIOR TO COMMENCEMENT OF CONSTRUCTION.
5. THE CONTRACTOR SHALL BE RESPONSIBLE FOR OBTAINING LOCATIONS OF ALL UTILITIES AND NOTIFICATION OF SUNSHINE STATE ONE CALL. COORDINATE DIRECTLY WITH NORTH BAY VILLAGE PUBLIC WORKS FOR NORTH BAY VILLAGE UTILITY LOCATIONS.
6. THE CONTRACTOR SHALL MAINTAIN A CURRENT APPROVED SET OF CONSTRUCTION PLANS ON SITE. THE PLANS ARE TO BE MADE AVAILABLE TO THE ENGINEERING INSPECTOR OR HIS DESIGNEE UPON REQUEST.
7. ALL CONSTRUCTION, INSTALLATION AND TESTING SHALL CONFORM TO THE STANDARDS AND SPECIFICATIONS OF MDWASD, FLORIDA DEPARTMENT OF ENVIRONMENTAL PROTECTION, FDOT AND ALL OTHER LOCAL AND NATIONAL CODES WHERE APPLICABLE.
8. ALL CONSTRUCTION SHALL BE DONE IN A SAFE MANNER SPECIFICALLY, THE RULES AND REGULATIONS OF THE OCCUPATIONAL SAFETY AND HEALTH AND THE MANUAL OF UNIFORM TRAFFIC CONTROL DEVICES SHALL BE STRICTLY OBSERVED.
9. EXISTING UTILITY LOCATIONS SHOWN ON THESE DRAWINGS ARE APPROXIMATE. THE ENGINEER ASSUMES NO RESPONSIBILITY FOR THE ACCURACY OF EXISTING UTILITIES WITHIN THE AREAS OF CONSTRUCTION.
10. PRIOR TO BEGINNING CONSTRUCTION, THE CONTRACTOR SHALL VERIFY THE SIZE, LOCATION AND MATERIAL OF ALL EXISTING UTILITIES WITHIN THE REPLACEMENT LOCATIONS.
11. IF UPON EXCAVATION, AN EXISTING UTILITY IS FOUND TO BE IN CONFLICT WITH THE PROPOSED CONSTRUCTION OR TO BE A SIZE OR MATERIAL DIFFERENT FROM THAT SHOWN ON THE DRAWINGS, THE CONTRACTOR SHALL IMMEDIATELY NOTIFY THE ENGINEER AND OWNER.
12. THE CONTRACTOR SHALL SUPPORT ANY UTILITIES UNCOVERED DURING CONSTRUCTION. CONTRACTOR SHALL REPAIR ANY UTILITY DAMAGED DURING CONSTRUCTION AT NO COST TO THE VILLAGE.
13. CONTRACTOR SHALL MAINTAIN REQUIRED COVER AND UTILITY SEPARATION AS SHOWN AND SPECIFIED FOR ALL UTILITY IMPROVEMENTS.
14. CONTRACTOR SHALL PROVIDE COMPLETE FINAL RECORD DRAWINGS TO THE OWNER AS SPECIFIED. ALL AS-BUILT MEASUREMENTS AND ELEVATIONS TO BE SIGNED AND SEALED BY A REGISTERED LAND SURVEYOR.
15. ALL ROADWAY AND OTHER AREAS OF THE PROJECT SITE IMPACTED BY CONSTRUCTION MUST BE RESTORED TO EQUAL OR BETTER CONDITION AND IN COMPLIANCE WITH NORTH BAY VILLAGE REQUIREMENTS.
16. THE CONTRACTOR SHALL BE RESPONSIBLE AT ALL TIMES THROUGHOUT THE DURATION OF CONSTRUCTION AND UNTIL ACCEPTANCE OF WORK, FOR THE PROTECTION OF EXISTING AND NEWLY INSTALLED UTILITIES FROM DAMAGE OR DISRUPTION OF SERVICE. THE CONTRACTOR SHALL BE RESPONSIBLE FOR TAKING SUCH MEASURES AS NECESSARY TO PROTECT THE HEALTH, SAFETY AND WELFARE OF THOSE PERSONS HAVING ACCESS TO THE WORK SITE.
17. CONTRACTOR SHALL MAINTAIN FUNCTION OF SEWAGE PUMPING DURING CONSTRUCTION BY UTILIZING BY-PASS PUMPING SYSTEM, FITTINGS AND VALVES AS REQUIRED. CONTRACTOR SHALL SUBMIT A PLAN OUTLINING SEWAGE "BY PASS" PROCEDURE TO THE ENGINEER FOR APPROVAL PRIOR TO COMMENCING WORK.
18. CONTRACTOR SHALL PERFORM ALL WORK WITHIN LEGAL PROPERTY AND EASEMENT, AND SHALL NOT DISTURB ADJACENT PROPERTY.
19. CONTRACTOR SHALL INCLUDE NECESSARY CUTTING, PATCHING AND RESTORATION OF ALL EXISTING SURFACES TO MATCH SURROUNDING AREAS.
20. FIELD VERIFY ALL ELEVATIONS PRIOR TO COMMENCING THE WORK.
21. PROVIDE DIELECTRIC FITTINGS BETWEEN TWO DIFFERENT MATERIALS AS REQUIRED.
22. CONTRACTOR SHALL VERIFY EXISTING PIPING TO REMAIN BEFORE ORDERING PROPOSED PIPING/FITTINGS CONNECTING TO IT.
23. MECHANICAL CONTRACTOR SHALL CHECK AND VERIFY ALL DIMENSIONS AND CONDITIONS AT JOB SITE AND COORDINATE NEW WORK TO BE DONE WITH THEIR TRADES PRIOR TO COMMENCING IT. THE MECHANICAL WORK SHALL BE SCHEDULED SO THAT IT WILL OCCUR IN THE PROPER SEQUENCE AND WITHOUT DELAYING THE COMPLETION OF THE WORK.
24. CONTRACTOR TO COAT ANY UNDERGROUND PIPE FITTINGS IN DIRECT CONTACT W/SOIL WITH TWO COATS OF BITUMASTIC OR APPROVAL EQUAL.
25. SHEET PILING MAY BE REQUIRED FOR EXCAVATION. IF SO, CONTRACTOR SHALL SUBMIT SHOP DRAWINGS AND CALCULATIONS SIGNED AND SEALED BY A STATE OF FLORIDA LICENSED PROFESSIONAL ENGINEER.
26. BASE FLOOD ELEVATION (BFE): 8.0' NGVD 1929, ZONE AE (BASED ON FEMA FIRM MAP).

**DEMOLITION NOTES:**

1. THE ITEMS DEPICTED FOR DEMOLITION ARE GENERAL ONLY. ALL ANCILLARY STRUCTURES, PIPING AND OTHER ASSOCIATED EQUIPMENT ARE TO BE INCLUDED IN THE DEMOLITION WORK.
2. AFTER DEMOLITION, ALL DEBRIS IS TO BE REMOVED AND LEGALLY DISPOSED BY THE CONTRACTOR IN ACCORDANCE WITH ALL LOCAL, STATE, AND FEDERAL REGULATIONS. CONTRACTOR MAY ELECT TO SELL ALL EQUIPMENT AND MATERIAL TO BE REMOVED AND INCLUDE COSTS/CREDITS IN PRICE PROPOSAL.
3. AFTER DISPOSAL OF MATERIAL, THE CONTRACTOR SHALL RE-GRADE THE AREA TO MATCH SURROUNDING GRADE AND DRAINAGE PATTERNS. CONTRACTOR TO OBTAIN REQUIRED FILL NEEDED TO LEVEL AREAS WHERE STRUCTURES PREVIOUSLY EXISTED.
4. CONTRACTOR SHALL BACKFILL, COMPACT AND RESTORE SURFACE CONDITIONS AT ALL AREAS OF PIPE/STRUCTURE DEMOLITION AND REMOVAL. COMPACT TO 98% ASTM D-1557, IN 12" LIFTS.
5. CONTRACTOR SHALL REMOVE ALL PIPING, VALVES, AND APPURTENANCES FROM STRUCTURES TO FIRST BEND BELOW GRADE OR MINIMUM OF 4 FEET BELOW GRADE WITHIN 50 FEET OF THE LOCATION. ALL PIPING TO BE DISPOSED OF IN ACCORDANCE WITH ALL LOCAL, STATE, AND FEDERAL REGULATIONS. CONTRACTOR TO VERIFY WITH VILLAGE THAT ANY SYSTEM TO BE REMOVED IS OUT OF SERVICE BEFORE DEMOLITION.
6. CONTRACTOR SHALL INVESTIGATE, REMOVE, AND PROPERLY DISPOSE OF THE EXISTING ELECTRICAL WIRING AND CONTROLS EQUIPMENT FROM AREA OF DEMOLITION BACK TO THE SOURCE.
7. CONTRACTOR SHALL REMOVE CONDUITS TO FIRST BEND BELOW GRADE OR MINIMUM OF 4 FEET BELOW GRADE WITHIN 50 FEET OF THE LOCATION AND INSTALL CAP. ALL CABLE AND WIRING ARE TO BE REMOVED BACK TO SOURCE.
8. ALL ELECTRICAL, PIPING OR STRUCTURES LEFT IN GROUND WILL BE MARKED ON PLANS AND SHALL HAVE PICTURES DOCUMENTING THESE ITEMS PRIOR TO AND AFTER FILLING. ALL STRUCTURES LEFT IN GROUND WILL HAVE A HOLE PUNCTURED IN THE BOTTOM AT THE LOWEST POINT. THE HOLE IS TO BE 8 INCH MINIMUM DIAMETER OR EQUIVALENT.
9. ITEMS LISTED "TO REMAIN" SHALL BE FULLY PROTECTED. CONTRACTOR IS RESPONSIBLE FOR ANY DAMAGE TO THESE ITEMS.
10. IT SHALL BE THE CONTRACTOR'S SOLE RESPONSIBILITY TO TAKE THE NECESSARY PRECAUTIONS TO ENSURE PROPER SAFETY AND WORKMANSHIP WHEN WORKING IN THE VICINITY OF EXISTING UTILITY LINES.
11. ALL EXISTING UTILITIES, INCLUDING BUT NOT LIMITED TO DRAINAGE, CLEANOUTS, WATER METERS, ELECTRICAL METERS AND IRRIGATION MAINS, IMPACTED BY CONSTRUCTION SHALL BE MODIFIED/RELOCATED AS NECESSARY.
12. CONTRACTOR SHALL BE RESPONSIBLE TO COORDINATE WITH FPL ON ANY WORK IN THE VICINITY OF OVERHEAD OR UNDERGROUND POWER LINES.
13. THE PRESENCE OF GROUNDWATER SHOULD BE ANTICIPATED. CONTRACTOR'S BID SHALL INCLUDE CONSIDERATION FOR ADDRESSING THIS ISSUE AND OBTAINING ALL NECESSARY PERMITS.

| No. | REVISIONS | DATE | BY |
|-----|-----------|------|----|
|     |           |      |    |
|     |           |      |    |
|     |           |      |    |
|     |           |      |    |
|     |           |      |    |
|     |           |      |    |
|     |           |      |    |
|     |           |      |    |
|     |           |      |    |
|     |           |      |    |



600 NORTH PINE ISLAND ROAD, SUITE 450, PLANTATION, FL 33324  
 PHONE: 954-535-5100 FAX: 954-739-2247  
 WWW.KIMLEY-HORN.COM CA 00000696

|             |           |
|-------------|-----------|
| KHA PROJECT | 043138041 |
| DATE        | May 2020  |
| SCALE       | AS SHOWN  |
| DESIGNED BY | SEB       |
| DRAWN BY    | SJL       |
| CHECKED BY  | SEB       |

**VILLAGE HALL  
PUMP STATION IMPROVEMENTS**

PREPARED FOR  
**NORTH BAY VILLAGE**

NORTH BAY VILLAGE FLORIDA

|                        |                   |
|------------------------|-------------------|
| LICENSED PROFESSIONAL  | STEPHEN E. BAILEY |
| FLORIDA LICENSE NUMBER | 42461             |
| DATE:                  | 05/12/20          |

**GENERAL NOTES**

SHEET NUMBER  
**E-01**

10620 GRIFFIN ROAD, SUITE 202  
 COOPER CITY, FLORIDA 33328  
 PHONE: (954) 448-7930  
 C.O.A. NO. 6783  
 Stephen E. Bailey, P.E.  
 Florida P.E. No. 42461



X:\Active Projects\Kimley-Horn\North Bay Village Pump Station Improvements\01 GENERAL NOTES.dwg, 5/12/2020, 4:16:50 PM, amwin

This document, together with the concepts and designs presented herein, is intended only for the specific purpose and client for which it was prepared. Reuse of and improper reliance on this document without written authorization and adaptation by Kimley-Horn and Associates, Inc. shall be without liability to Kimley-Horn and Associates, Inc.



**ELECTRICAL SITE PLAN**  
 SCALE: 1"=10'-0"

**LEGEND:**

**PLAN SYMBOLS**

- (15) ELECTRIC A.C. MOTOR, NO. INDICATES HORSEPOWER.
- CONDUIT RUN EXPOSED. RUN PARALLEL OR PERPENDICULAR TO STRUCTURE OR WALL.
- - - CONDUIT CONCEALED IN OR BELOW FLOOR OR UNDERGROUND.
- //— HOME RUN TO PANELBOARD. NUMBER OF ARROWS INDICATE NUMBER OF CIRCUITS. HASH MARKS INDICATE NUMBER OF #12 AWG. CONDUCTORS. NO HASH MARKS INDICATE 2 #12 CONDUCTORS.
- (LE) LEVEL TRANSDUCER
- (LLS) LIQUID LEVEL SWITCH
- (TS) TEMPERATURE SWITCH
- (SF) SEAL FAIL
- (PS) PRESSURE TRANSMITTER
- ⊗ GROUND ROD
- TW ⊗ GROUND TEST WELL

**ABBREVIATIONS**

- A AMPERES
- AFG ABOVE FINISHED GRADE
- AIC AMPS INTERRUPTING CURRENT
- CP CONTROL PANEL
- CPT CONTROL POWER TRANSFORMER
- FPL FLORIDA POWER & LIGHT
- FVNR FULL VOLTAGE NON-REVERSING
- GND GROUND
- HP HORSEPOWER
- LSCP LEVEL INDICATING TRANSMITTER
- MIN MINIMUM
- MSC MANUFACTURER SUPPLIED CABLE
- MTD MOUNTED
- N NEUTRAL
- NEC NATIONAL ELECTRICAL CODE
- NO NUMBER
- NTS NOT TO SCALE
- P POLE
- SLD SINGLE LINE DIAGRAM
- SPD SURGE PROTECTION DEVICE
- SS STAINLESS STEEL
- TYP TYPICAL
- V VOLTS
- VA VOLT AMPERES
- W WIRE
- WP WEATHERPROOF
- w/ WITH
- φ PHASE

**NOTES**

1. ELECTRICAL CONTRACTOR SHALL SUPPLY AND INSTALL ALL NEW ELECTRICAL WORK INDICATED.
2. ELECTRICAL CONTRACTOR SHALL VISIT JOB SITE AND FAMILIARIZE HIMSELF WITH ALL CONDITIONS AFFECTING ELECTRICAL INSTALLATION AND MAKE PROVISIONS AS TO THE COST THEREOF. EXISTING CONDITIONS OF ELECTRICAL EQUIPMENT, LIGHT FIXTURES, ETC... THAT ARE PART OF THE FINAL SYSTEM SHALL BE VERIFIED BY THE CONTRACTOR PRIOR TO SUBMITTING HIS BID.
3. ALL WORK SHALL BE DONE IN ACCORDANCE WITH THE 2014 NATIONAL ELECTRICAL CODE, 2017 FLORIDA BUILDING, 2014 NATIONAL FIRE PROTECTION ASSOCIATION, AND SHALL COMPLY WITH ALL LOCAL RULES AND ORDINANCES.
4. MINIMUM WIRE SIZE SHALL BE #12 A.W.G. FOR POWER CIRCUITS.
5. IT IS NOT THE INTENT OF THESE PLANS TO SHOW EVERY MINOR DETAIL OF CONSTRUCTION. THE CONTRACTOR IS EXPECTED TO FURNISH AND INSTALL ALL ITEMS FOR A COMPLETE ELECTRICAL SYSTEM AND PROVIDE ALL REQUIREMENTS NECESSARY FOR THE EQUIPMENT TO BE PLACED IN PROPER WORKING ORDER.
6. ELECTRICAL SYSTEM SHALL BE COMPLETE AND EFFECTIVELY GROUNDED AS REQUIRED BY THE LATEST EDITION OF THE N.E.C. OR LOCAL CODES. ALL CONDUITS SHALL HAVE A BOND WIRE SIZED PER TABLE 250-122 OF THE NATIONAL ELECTRICAL CODE.
7. ALL MATERIALS SHALL BE NEW AND BEAR UNDERWRITERS' LABELS WHERE APPLICABLE.
8. ALL WORK SHALL BE PERFORMED BY A LICENSED ELECTRICAL CONTRACTOR IN A FIRST CLASS WORKMANLIKE MANNER. THE COMPLETED SYSTEM SHALL BE FULLY OPERATIVE AND ACCEPTED BY ENGINEER/OWNER.
9. CONTRACTOR SHALL GUARANTEE ALL MATERIALS AND WORKMANSHIP FREE FROM DEFECTS FOR A PERIOD OF NOT LESS THAN ONE YEAR FROM DATE OF ACCEPTANCE.
10. CORRECTION OF ANY DEFECTS SHALL BE COMPLETED WITHOUT ADDITIONAL CHARGE AND SHALL INCLUDE REPLACEMENT OR REPAIR OF ANY OTHER PHASE OF THE INSTALLATION WHICH MAY HAVE BEEN DAMAGED.
11. THE ELECTRICAL INSTALLATION SHALL MEET ALL STANDARD REQUIREMENTS OF FPL.
12. CONTRACTOR SHALL BE RESPONSIBLE FOR ALL CUTTING AND PATCHING REQUIRED OF HIS WORK.
13. ELECTRICAL CONTRACTOR SHALL LABEL ALL PANELS W/ TYPE WRITTEN DIRECTORIES.
14. ALL ELECTRICAL WIRING SHALL BE THE RESPONSIBILITY OF THE ELECTRICAL CONTRACTOR.
15. DO NOT SCALE THE ELECTRICAL DRAWINGS. REFER TO THE APPROVED MANUFACTURER'S SHOP DRAWINGS FOR THE EXACT DIMENSIONS OF ALL EQUIPMENT.
16. *SLANTED AND SHADED TEXT* DENOTES EXISTING EQUIPMENT OR STRUCTURES. EXISTING EQUIPMENT OR STRUCTURES ARE ALSO CALLED OUT WITH THE WORD "EXISTING" PRECEDING. NON-SLANTED TEXT DENOTES NEW EQUIPMENT, STRUCTURES & WORK.
17. ALL CONTROL PANELS SHALL BE UL LISTED AND MEET THE REQUIREMENTS OF ARTICLE 409 OF THE NATIONAL ELECTRICAL CODE.

| No. | REVISIONS | DATE | BY |
|-----|-----------|------|----|
|     |           |      |    |
|     |           |      |    |
|     |           |      |    |

**Kimley»Horn**  
 600 NORTH PINE ISLAND ROAD, SUITE 450, PLANTATION, FL 33324  
 PHONE: 954-535-5100 FAX: 954-739-2247  
 WWW.KIMLEY-HORN.COM CA 00000696

|                          |
|--------------------------|
| KHA PROJECT<br>043138041 |
| DATE<br>May 2020         |
| SCALE AS SHOWN           |
| DESIGNED BY<br>SEB       |
| DRAWN BY<br>SJM          |
| CHECKED BY<br>SEB        |

**VILLAGE HALL  
 PUMP STATION IMPROVEMENTS**

PREPARED FOR  
**NORTH BAY VILLAGE**

FLORIDA DATE: 05/12/20

LICENSED PROFESSIONAL  
 STEPHEN E. BAILEY  
 FLORIDA LICENSE NUMBER  
 42461

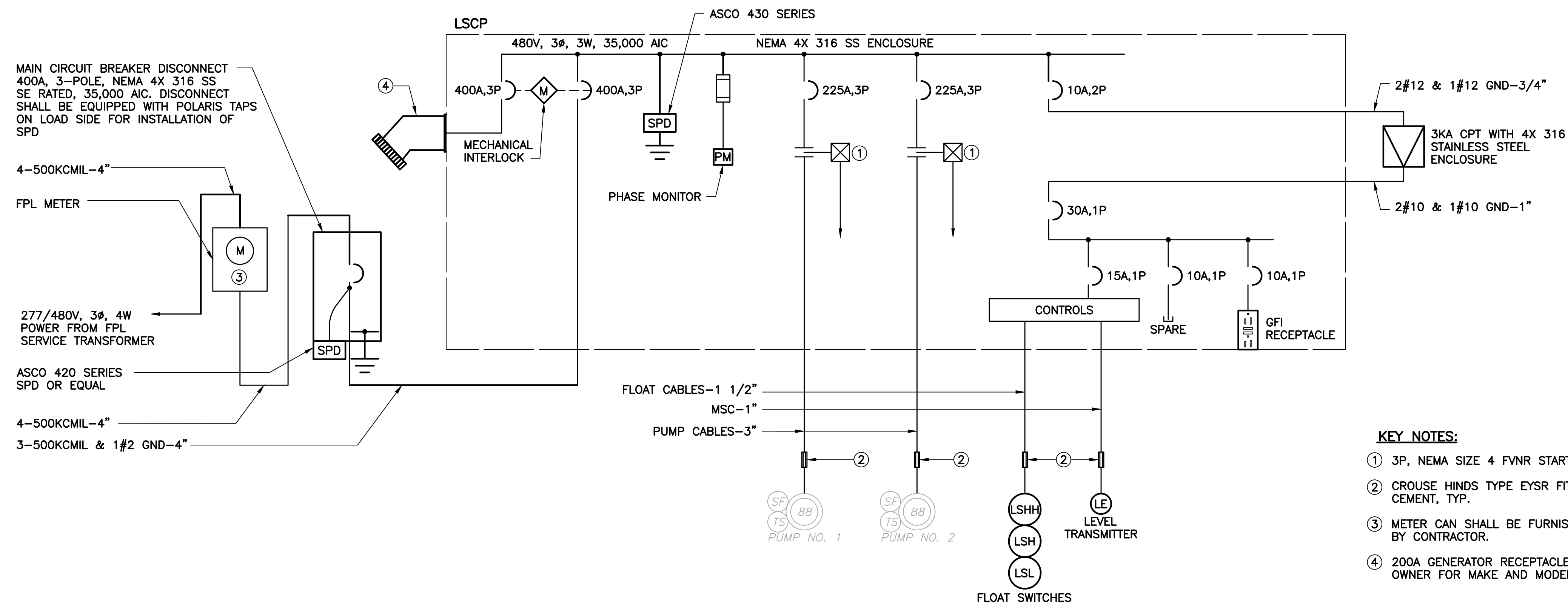
**ELECTRICAL SITE PLAN, NOTES,  
 SYMBOLS AND ABBREVIATIONS**

SHEET NUMBER  
**E-02**

10620 GRIFFIN ROAD, SUITE 202  
 COOPER CITY, FLORIDA 33328  
 PHONE: (954) 448-7930  
 C.O.A. No. 6783  
 Stephen E. Bailey, P.E.  
 Florida P.E. No. 42461



This document, together with the concepts and designs presented herein, is intended only for the specific purpose and client for which it was prepared. Reuse of and improper reliance on this document without written authorization and adaptation by Kimley-Horn and Associates, Inc. shall be without liability to Kimley-Horn and Associates, Inc.



- KEY NOTES:**
- ① 3P, NEMA SIZE 4 FVNR STARTER.
  - ② CROUSE HINDS TYPE EYSR FITTING WITH CHICO CEMENT, TYP.
  - ③ METER CAN SHALL BE FURNISHED AND INSTALLED BY CONTRACTOR.
  - ④ 200A GENERATOR RECEPTACLE. CONFIRM WITH OWNER FOR MAKE AND MODEL.

SINGLE LINE DIAGRAM

| LOAD TABULATION   |                |               |
|---|----------------|---------------|
| SERVICE VOLTAGE: 480V, 3φ, 4W   |                |               |
| DESCRIPTION   | LOAD           | AMPACITY      |
| ① SUBMERSIBLE PUMPS   | 2 @ 88 HP EACH | = 210.00 AMPS |
| MISCELLANEOUS   | 3 KVA          | = 3.60 AMPS   |
|   | CONNECTED LOAD | = 213.60 AMPS |
| ② MINIMUM SERVICE ENTRANCE = 213.60 AMPS + (0.25)(105.0) = <u>239.85</u> AMPS       |                |               |
| <b>NOTES:</b>   |                |               |
| ① AMPACITIES PER PUMP MFR. DATASHEETS.  |                |               |
| ② SERVICE ENTRANCE MINIMUM SIZE AS PER ARTICLE 230 OF THE NATIONAL ELECTRICAL CODE. |                |               |
| ③ EXISTING PUMP IS FLYGT CP 3300 HT SERIES.   |                |               |

|     |           |      |    |
|-----|-----------|------|----|
| No. | REVISIONS | DATE | BY |
|     |           |      |    |
|     |           |      |    |
|     |           |      |    |
|     |           |      |    |
|     |           |      |    |
|     |           |      |    |
|     |           |      |    |
|     |           |      |    |
|     |           |      |    |

**Kimley»Horn**

600 NORTH PINE ISLAND ROAD, SUITE 450, PLANTATION, FL 33324  
 PHONE: 954-535-5100 FAX: 954-739-2247  
 WWW.KIMLEY-HORN.COM CA 00000696

|             |           |
|-------------|-----------|
| KHA PROJECT | 043138041 |
| DATE        | May 2020  |
| SCALE       | AS SHOWN  |
| DESIGNED BY | SEB       |
| DRAWN BY    | SJL       |
| CHECKED BY  | SEB       |

**VILLAGE HALL  
 PUMP STATION IMPROVEMENTS**

PREPARED FOR  
**NORTH BAY VILLAGE**

NORTH BAY VILLAGE FLORIDA

|                        |                   |
|------------------------|-------------------|
| LICENSED PROFESSIONAL  | STEPHEN E. BAILEY |
| FLORIDA LICENSE NUMBER | 42461             |
| DATE:                  | 05/12/20          |

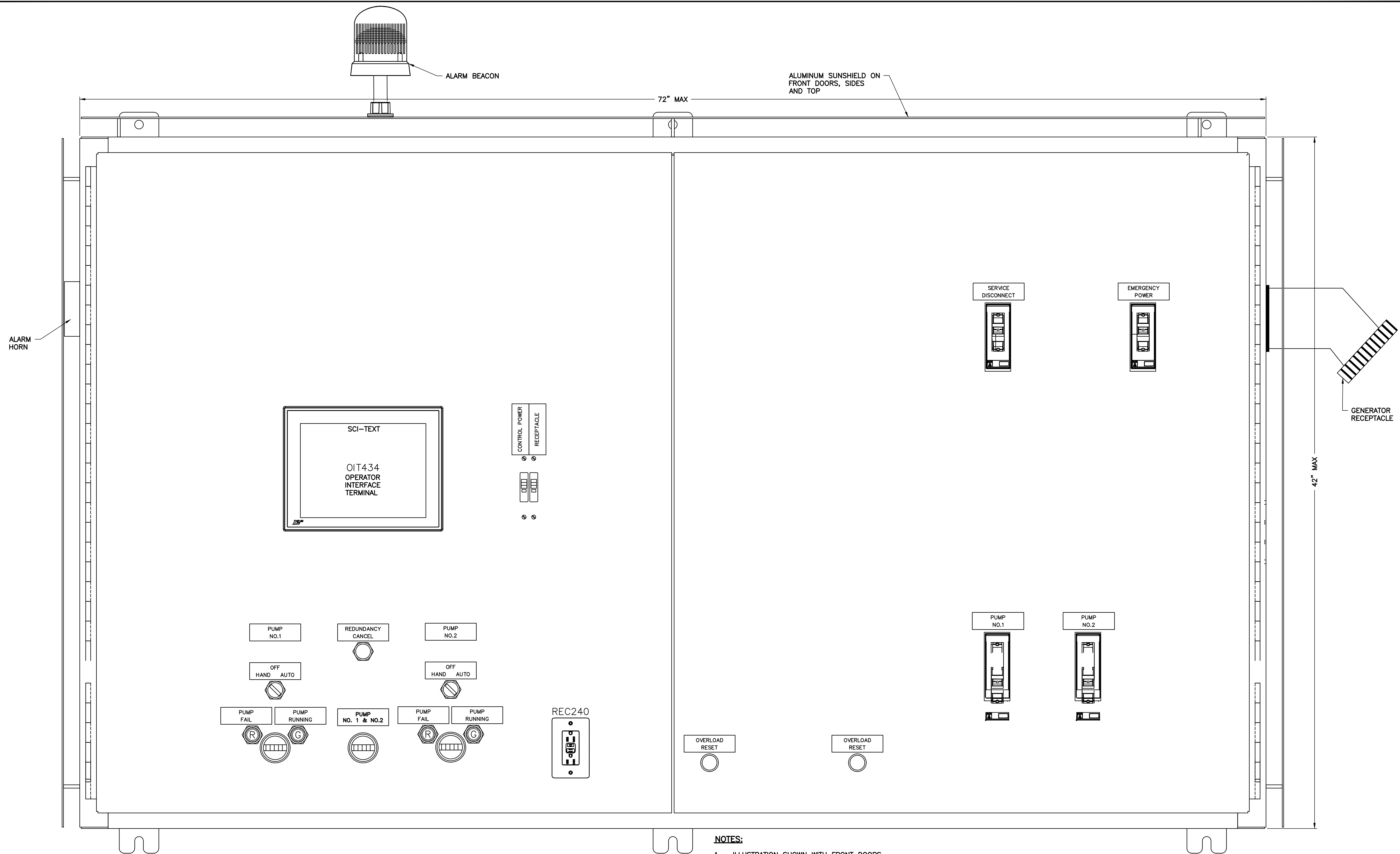
**SINGLE LINE DIAGRAM**

10620 GRIFFIN ROAD, SUITE 202  
 COOPER CITY, FLORIDA 33328  
 PHONE: (954) 448-7930  
 C.O.A. NO. 6783  
 Stephen E. Bailey, P.E.  
 Florida P.E. No. 42461

**811** KNOW WHAT'S BELOW  
 ALWAYS CALL 811  
 BEFORE YOU DIG  
 It's fast. It's free. It's the law.  
 www.call811.com

|              |      |
|--------------|------|
| SHEET NUMBER | E-03 |
|--------------|------|

This document, together with the concepts and designs presented herein, as an instrument of service, is intended only for the specific purpose and client for which it was prepared. Reuse of and improper reliance on this document without written authorization and adaptation by Kimley-Horn and Associates, Inc. shall be without liability to Kimley-Horn and Associates, Inc.



**ENCLOSURE LAYOUT**  
N.T.S

- NOTES:**  
1. ILLUSTRATION SHOWN WITH FRONT DOORS OPEN.

10620 GRIFFIN ROAD, SUITE 202  
COOPER CITY, FLORIDA 33328  
PHONE: (954) 448-7930  
C.O.A. NO. 6783  
Stephen E. Bailey, P.E.  
Florida P.E. No. 42461



| No. | REVISIONS | DATE | BY |
|-----|-----------|------|----|
|     |           |      |    |
|     |           |      |    |
|     |           |      |    |
|     |           |      |    |
|     |           |      |    |

**Kimley»Horn**  
600 NORTH PINE ISLAND ROAD, SUITE 450, PLANTATION, FL 33324  
PHONE: 954-535-5100 FAX: 954-739-2247  
WWW.KIMLEY-HORN.COM CA 00000696

|             |           |
|-------------|-----------|
| KHA PROJECT | 043138041 |
| DATE        | May 2020  |
| SCALE       | AS SHOWN  |
| DESIGNED BY | SEB       |
| DRAWN BY    | SJL       |
| CHECKED BY  | SEB       |

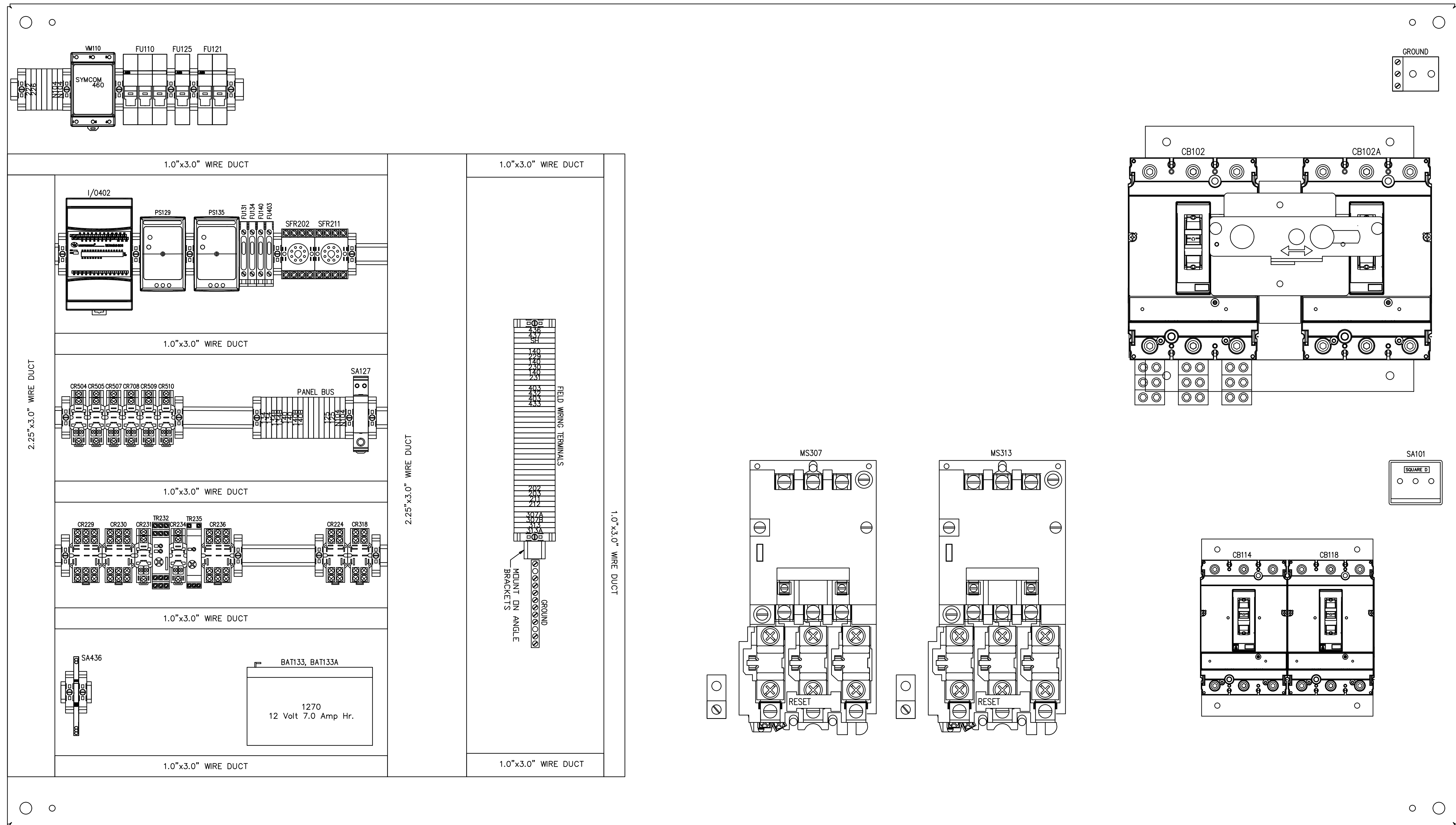
**VILLAGE HALL  
PUMP STATION IMPROVEMENTS**  
PREPARED FOR  
**NORTH BAY VILLAGE**  
NORTH BAY VILLAGE FLORIDA

|                        |                   |
|------------------------|-------------------|
| LICENSED PROFESSIONAL  | STEPHEN E. BAILEY |
| FLORIDA LICENSE NUMBER | 42461             |
| DATE:                  | 05/12/20          |

**CONTROL PANEL ENCLOSURE  
DETAILS**

|              |      |
|--------------|------|
| SHEET NUMBER | E-04 |
|--------------|------|

This document, together with the concept and design presented herein, is intended only for the specific purpose and client for which it was prepared. Reuse of and improper reliance on this document without written authorization and adaptation by Kimley-Horn and Associates, Inc. shall be without liability to Kimley-Horn and Associates, Inc.



COMPONENT LAYOUT  
N.T.S

| No. | REVISIONS | DATE | BY |
|-----|-----------|------|----|
|     |           |      |    |
|     |           |      |    |
|     |           |      |    |
|     |           |      |    |

**Kimley»Horn**

600 NORTH PINE ISLAND ROAD, SUITE 450, PLANTATION, FL 33324  
 PHONE: 954-535-5100 FAX: 954-739-2247  
 WWW.KIMLEY-HORN.COM CA 00000696

|                          |
|--------------------------|
| KHA PROJECT<br>043138041 |
| DATE<br>May 2020         |
| SCALE AS SHOWN           |
| DESIGNED BY<br>SEB       |
| DRAWN BY<br>SJM          |
| CHECKED BY<br>SEB        |

VILLAGE HALL  
PUMP STATION IMPROVEMENTS

PREPARED FOR  
NORTH BAY VILLAGE

LICENSED PROFESSIONAL  
STEPHEN E. BAILEY  
FLORIDA LICENSE NUMBER  
42461

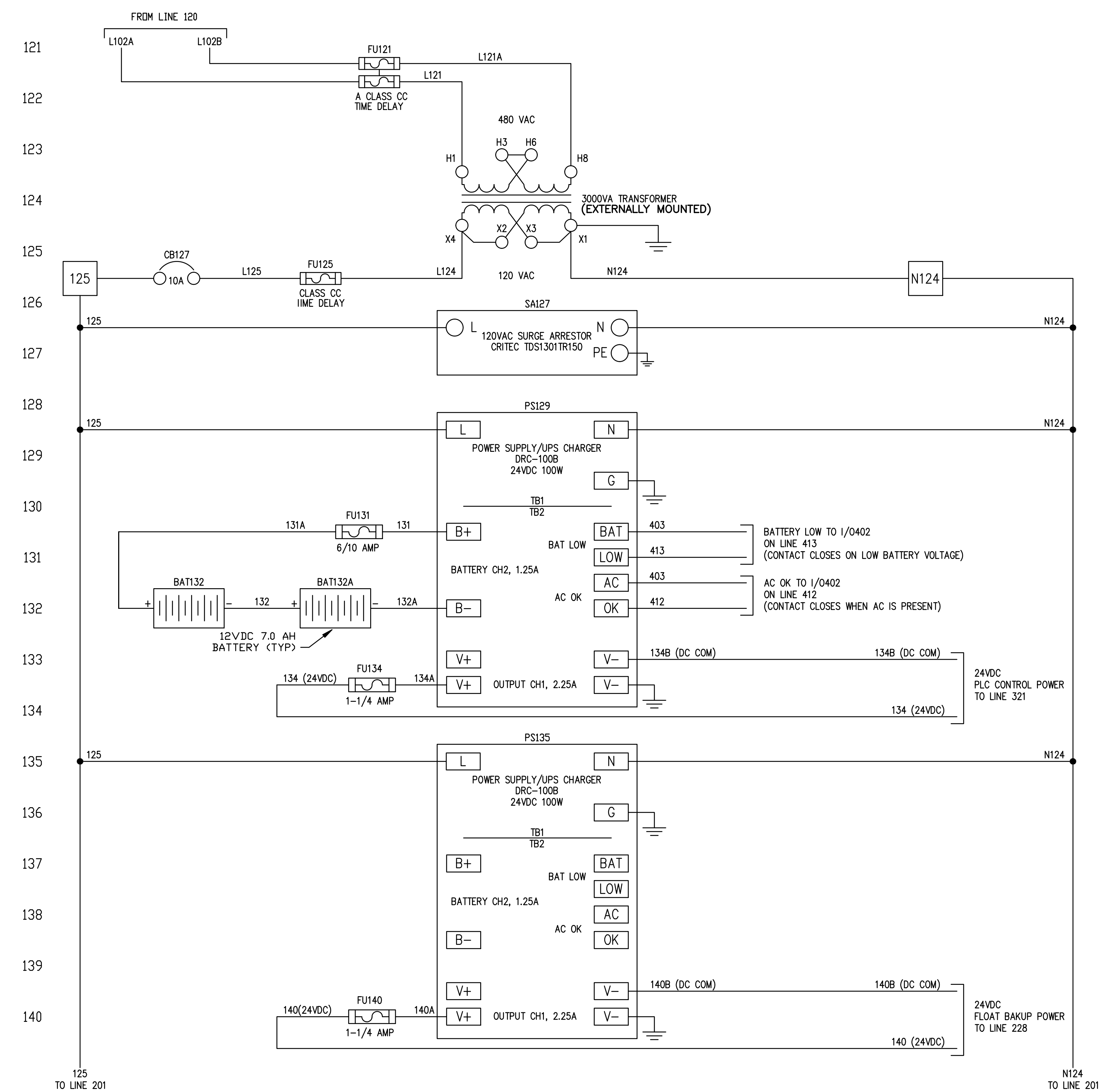
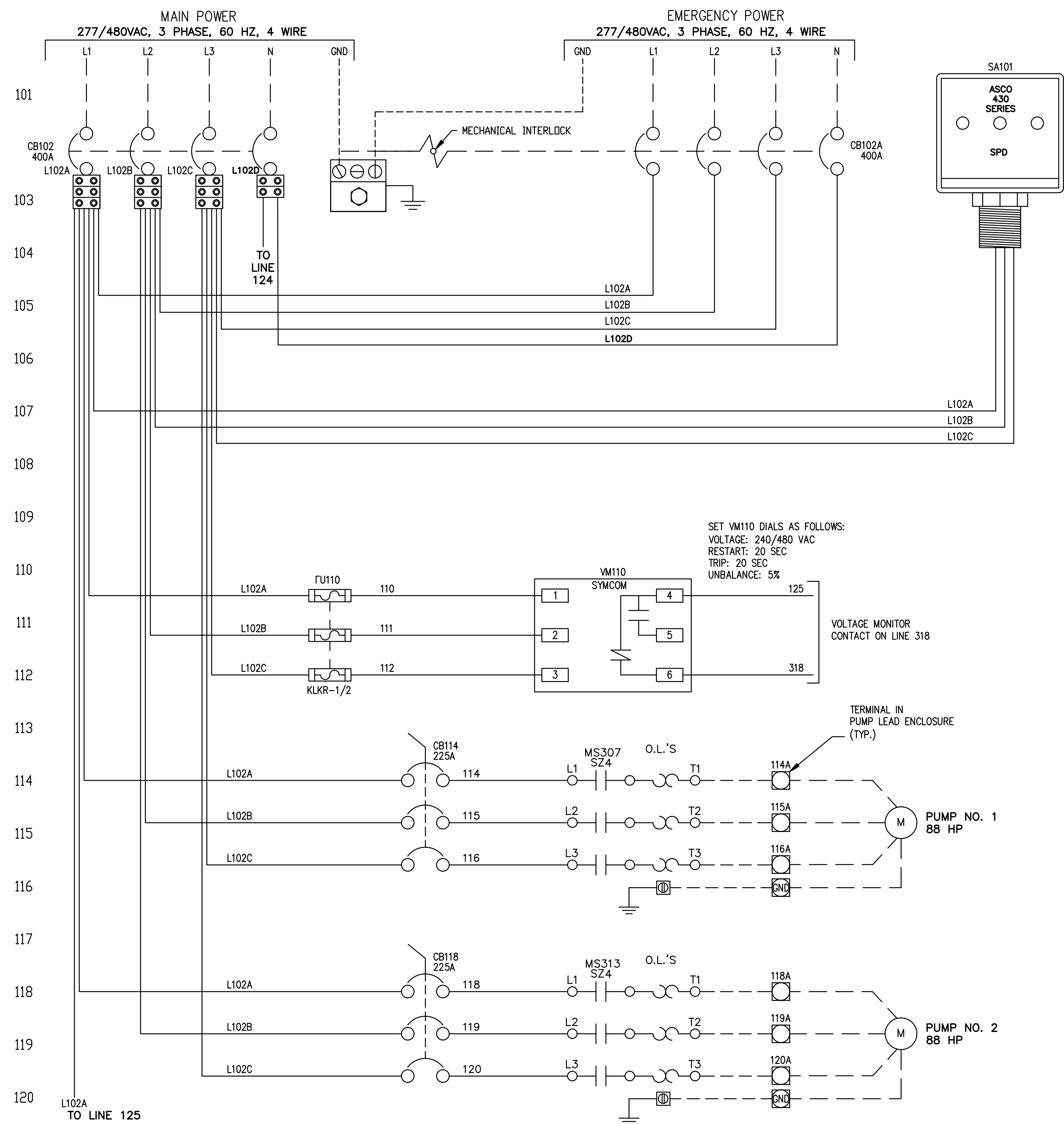
FLORIDA DATE: 05/12/20

CONTROL PANEL COMPONENT  
LAYOUT

10620 GRIFFIN ROAD, SUITE 202  
COOPER CITY, FLORIDA 33328  
PHONE: (954) 446-7930  
C.O.A. NO. 6783  
Stephen E. Bailey, P.E.  
Florida P.E. No. 42461

SHEET NUMBER  
E-05

This document, together with the concepts and designs presented herein, is intended only for the specific purpose and shall be without liability to Kimley-Horn and Associates, Inc. should be used for any other purpose without the written authorization and adaptation by Kimley-Horn and Associates, Inc.



SEE E-07 FOR CONTINUATION

10620 GRIFFIN ROAD, SUITE 202  
COOPER CITY, FLORIDA 33328  
PHONE: (954) 448-7930  
C.O.A. No. 6783  
Stephen E. Bailey, P.E.  
Florida P.E. No. 42461



| No. | REVISIONS | DATE | BY |
|-----|-----------|------|----|
|     |           |      |    |
|     |           |      |    |
|     |           |      |    |
|     |           |      |    |

**Kimley»Horn**

600 NORTH PINE ISLAND ROAD, SUITE 450, PLANTATION, FL 33324  
PHONE: 954-535-5100 FAX: 954-739-2247  
WWW.KIMLEY-HORN.COM CA 00000696

|                          |
|--------------------------|
| KHA PROJECT<br>043138041 |
| DATE<br>May 2020         |
| SCALE<br>AS SHOWN        |
| DESIGNED BY<br>SEB       |
| DRAWN BY<br>S.J.L.       |
| CHECKED BY<br>SEB        |

**VILLAGE HALL  
PUMP STATION IMPROVEMENTS**

PREPARED FOR  
**NORTH BAY VILLAGE**

LICENSED PROFESSIONAL  
**STEPHEN E. BAILEY**

FLORIDA LICENSE NUMBER  
42461

FLORIDA DATE: 05/12/20

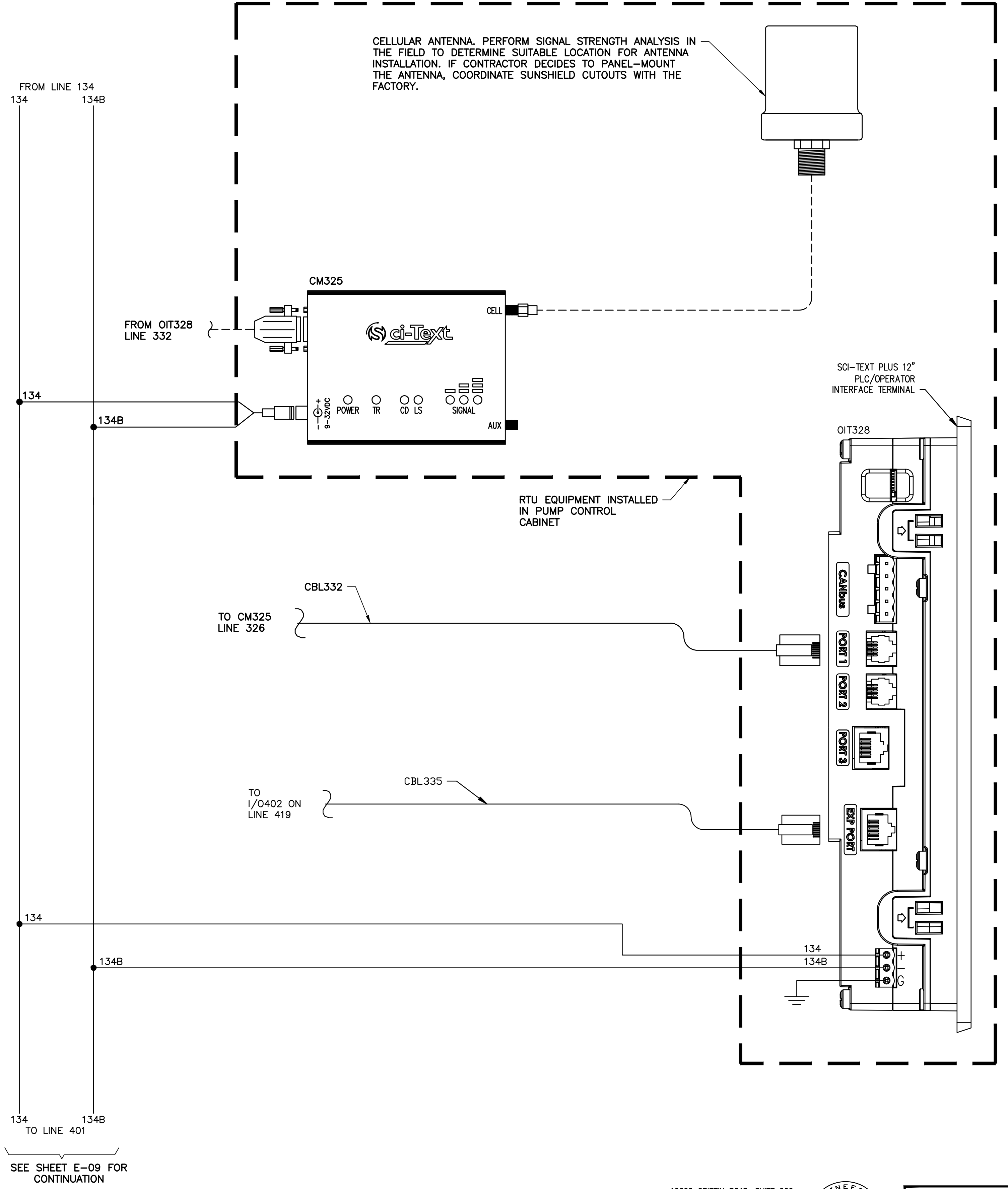
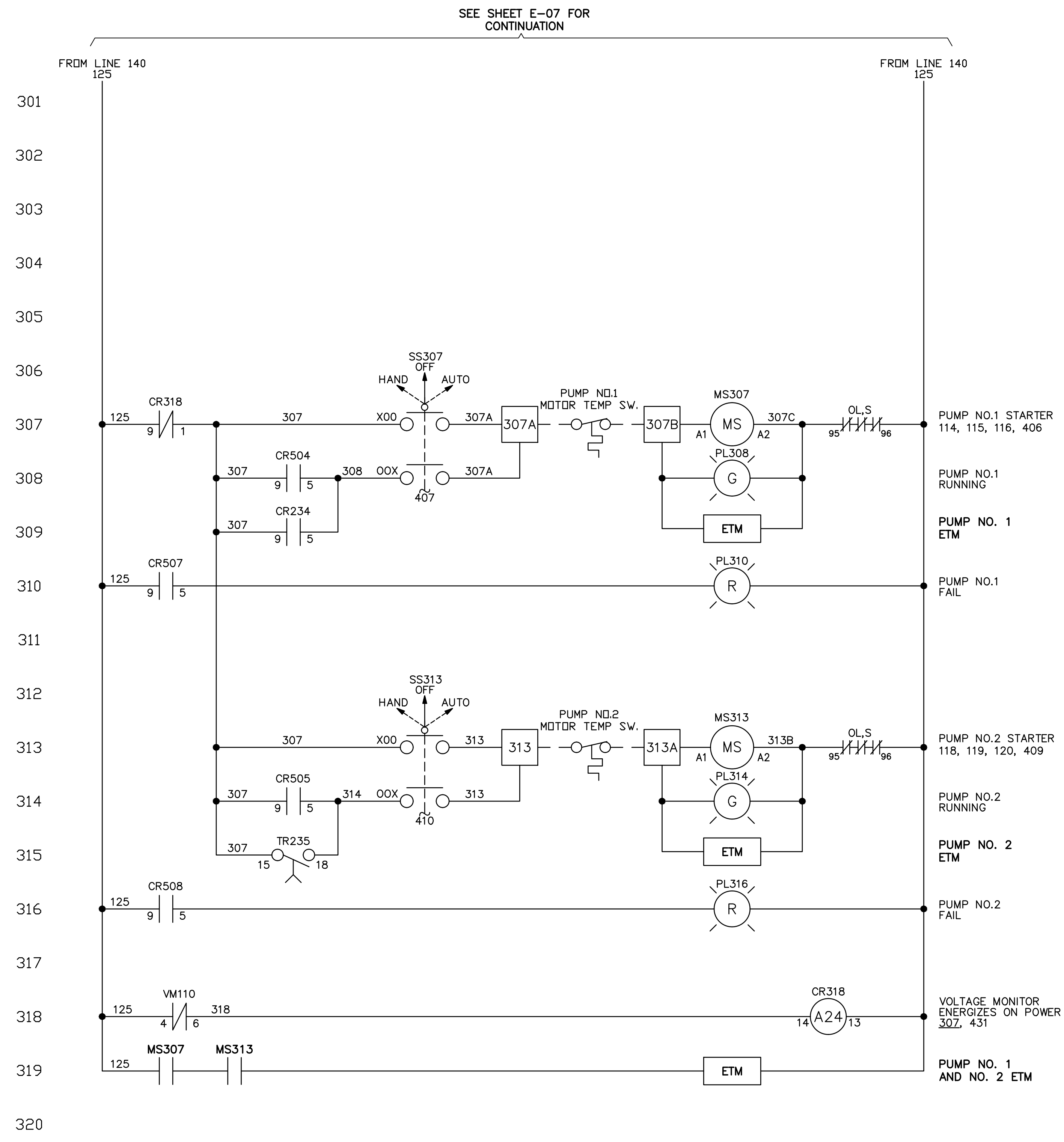
**CONTROL PANEL ELEMENTARY  
DIAGRAM - SHEET 1**

SHEET NUMBER  
**E-06**





This document, together with the concepts and designs presented herein, is intended only for the specific purpose and design for which it was prepared. Reuse of and improper reliance on this document without written authorization and adaptation by Kimley-Horn and Associates, Inc. shall be without liability to Kimley-Horn and Associates, Inc.



10620 GRIFFIN ROAD, SUITE 202  
COOPER CITY, FLORIDA 33328  
PHONE: (954) 448-7930  
C.O.A. NO. 6783  
Stephen E. Bailey, P.E.  
Florida P.E. No. 42461



| No. | REVISIONS | DATE | BY |
|-----|-----------|------|----|
|     |           |      |    |
|     |           |      |    |
|     |           |      |    |
|     |           |      |    |

**Kimley»Horn**

600 NORTH PINE ISLAND ROAD, SUITE 450, PLANTATION, FL 33324  
PHONE: 954-535-5100 FAX: 954-739-2247  
WWW.KIMLEY-HORN.COM CA 00000696

|                          |
|--------------------------|
| KHA PROJECT<br>043138041 |
| DATE<br>May 2020         |
| SCALE<br>AS SHOWN        |
| DESIGNED BY<br>SEB       |
| DRAWN BY<br>SJM          |
| CHECKED BY<br>SEB        |

**VILLAGE HALL  
PUMP STATION IMPROVEMENTS**

PREPARED FOR  
**NORTH BAY VILLAGE**

LICENSED PROFESSIONAL  
**STEPHEN E. BAILEY**

FLORIDA LICENSE NUMBER  
42461

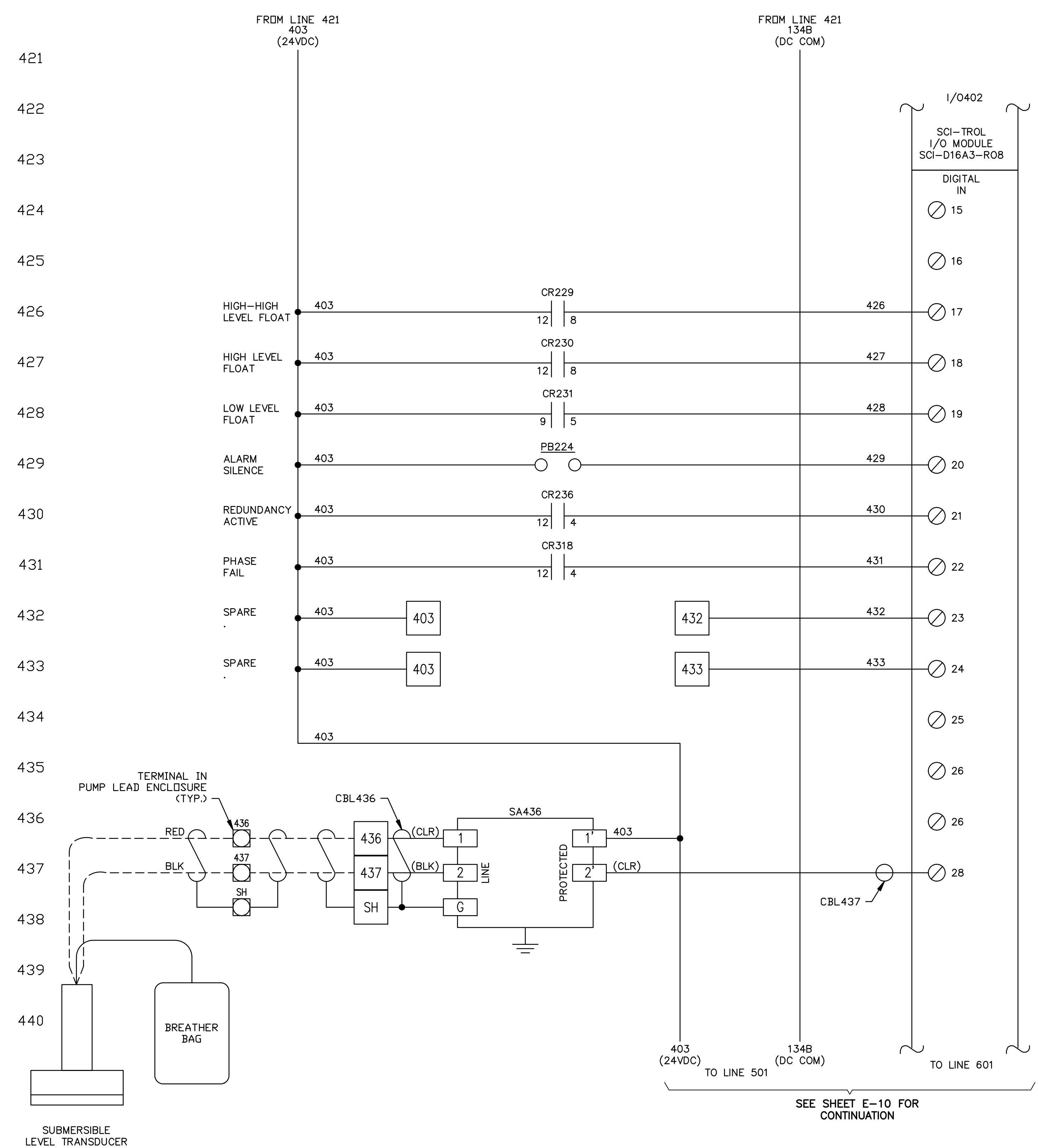
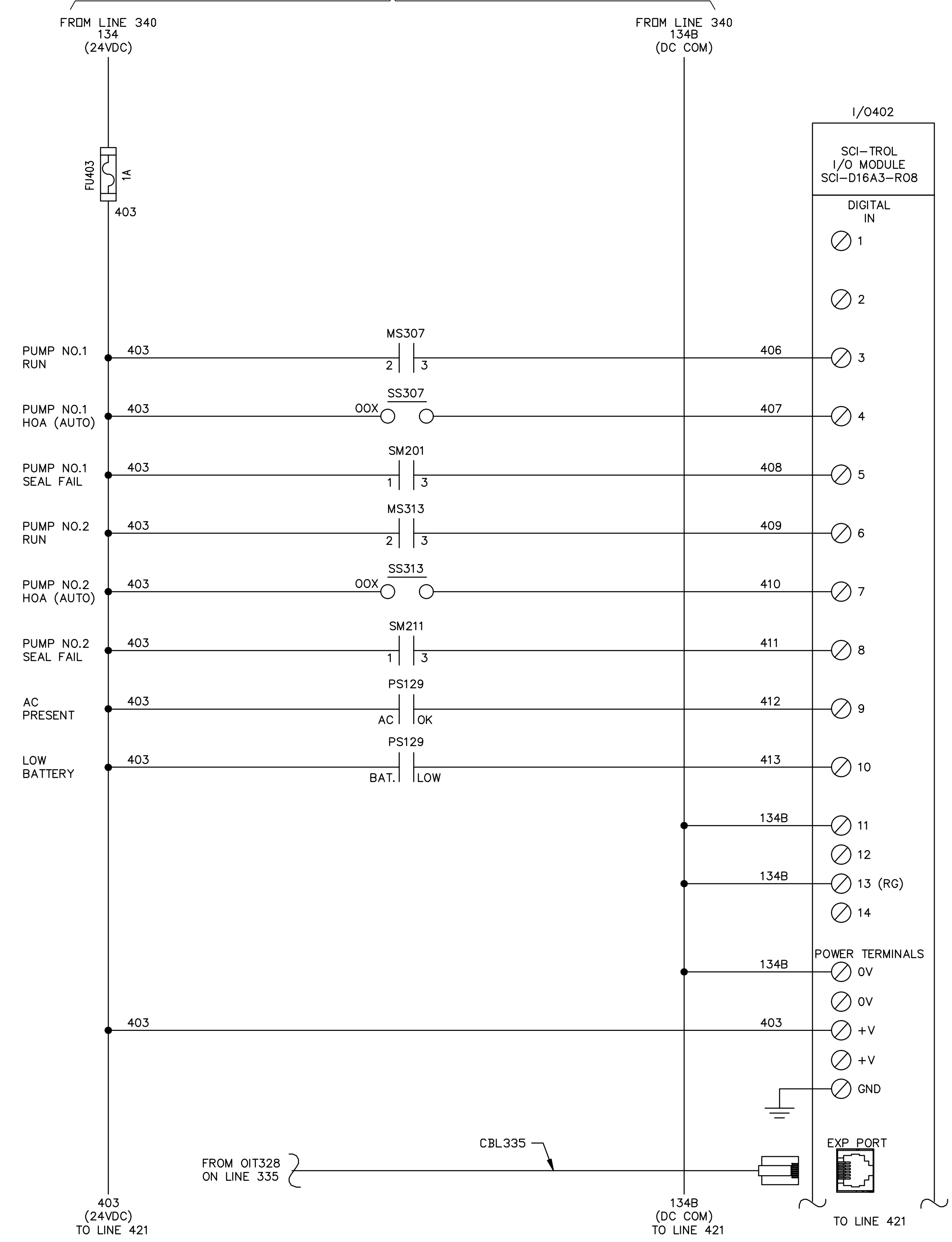
FLORIDA DATE: 05/12/20

**CONTROL PANEL ELEMENTARY  
DIAGRAM - SHEET 3**

SHEET NUMBER  
**E-08**

This document, together with the concepts and designs presented herein, is intended only for the specific purpose and shall be without liability to Kimley-Horn and Associates, Inc. should be used for any other purpose without the written authorization and adaptation by Kimley-Horn and Associates, Inc.

SEE SHEET E-08 FOR CONTINUATION



SEE SHEET E-10 FOR CONTINUATION

| No. | REVISIONS | DATE | BY |
|-----|-----------|------|----|
|     |           |      |    |
|     |           |      |    |
|     |           |      |    |
|     |           |      |    |

**Kimley»Horn**

600 NORTH PINE ISLAND ROAD, SUITE 450, PLANTATION, FL 33324  
 PHONE: 954-535-5100 FAX: 954-739-2247  
 WWW.KIMLEY-HORN.COM CA 0000696

|                          |
|--------------------------|
| KHA PROJECT<br>043138041 |
| DATE<br>May 2020         |
| SCALE<br>AS SHOWN        |
| DESIGNED BY<br>SEB       |
| DRAWN BY<br>SJM          |
| CHECKED BY<br>SEB        |

**VILLAGE HALL  
PUMP STATION IMPROVEMENTS**

PREPARED FOR  
**NORTH BAY VILLAGE**

LICENSED PROFESSIONAL  
**STEPHEN E. BAILEY**

FLORIDA LICENSE NUMBER  
42461

FLORIDA DATE: 05/12/20

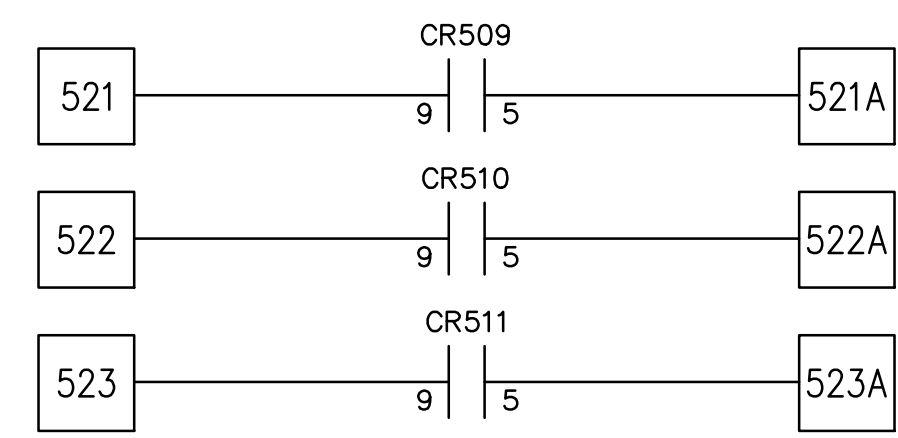
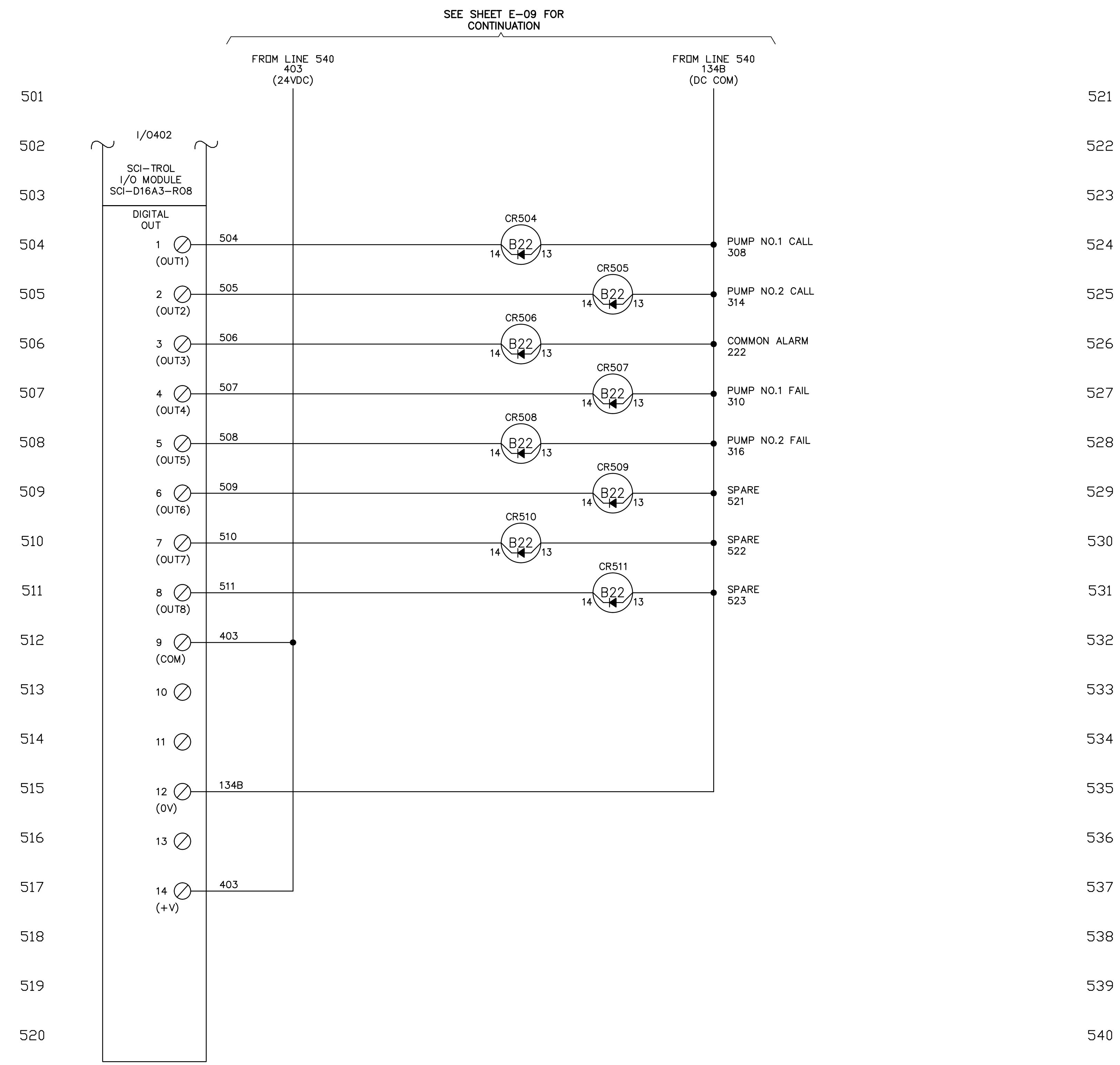
**CONTROL PANEL ELEMENTARY  
DIAGRAM - SHEET 4**

SHEET NUMBER  
**E-09**

10620 GRIFFIN ROAD, SUITE 202  
COOPER CITY, FLORIDA 33328  
PHONE: (954) 448-7930  
C.O.A. NO. 6783  
Stephen E. Bailey, P.E.  
Florida P.E. No. 42461



This document, together with the concepts and designs presented herein, as an instrument of service, is intended only for the specific purpose and client for which it was prepared. Reuse of and improper reliance on this document without written authorization and adaptation by Kimley-Horn and Associates, Inc. shall be without liability to Kimley-Horn and Associates, Inc.



521  
522  
523  
524  
525  
526  
527  
528  
529  
530  
531  
532  
533  
534  
535  
536  
537  
538  
539  
540

| No. | REVISIONS | DATE | BY |
|-----|-----------|------|----|
|     |           |      |    |
|     |           |      |    |
|     |           |      |    |
|     |           |      |    |
|     |           |      |    |
|     |           |      |    |

**Kimley»Horn**

600 NORTH PINE ISLAND ROAD, SUITE 450, PLANTATION, FL 33324  
 PHONE: 954-535-5100 FAX: 954-739-2247  
 WWW.KIMLEY-HORN.COM CA 00000696

|             |           |
|-------------|-----------|
| KHA PROJECT | 043138041 |
| DATE        | May 2020  |
| SCALE       | AS SHOWN  |
| DESIGNED BY | SEB       |
| DRAWN BY    | SJL       |
| CHECKED BY  | SEB       |

**VILLAGE HALL  
PUMP STATION IMPROVEMENTS**

PREPARED FOR  
**NORTH BAY VILLAGE**

NORTH BAY VILLAGE      FLORIDA      DATE: 05/12/20

**CONTROL PANEL ELEMENTARY  
DIAGRAM - SHEET 5**

LICENSED PROFESSIONAL  
STEPHEN E. BAILEY  
FLORIDA LICENSE NUMBER  
42461

SHEET NUMBER  
**E-10**

10620 GRIFFIN ROAD, SUITE 202  
COOPER CITY, FLORIDA 33328  
PHONE: (954) 448-7930  
C.O.A. NO. 6783  
Stephen E. Bailey, P.E.  
Florida P.E. No. 42461



This document, together with the concepts and designs presented herein, is intended only for the specific purpose and client for which it was prepared. Reuse of and improper reliance on this document without written authorization and adaptation by Kimley-Horn and Associates, Inc. shall be without liability to Kimley-Horn and Associates, Inc.



- RTU ANTENNA (OUT OF SERVICE) TO BE DEMOLISHED
- RTU PANEL (OUT OF SERVICE) TO BE DEMOLISHED
- MISC SWITCH (OUT OF SERVICE) TO BE DEMOLISHED
- LIFT STATION CONTROL PANEL TO BE DEMOLISHED.

**EQUIPMENT RACK – FRONT (NORTH ELEVATION)**  
NTS



- MAIN DISCONNECT TO BE DEMOLISHED.
- UTILITY METER TO BE DEMOLISHED
- WET WELL ACCESS HATCH

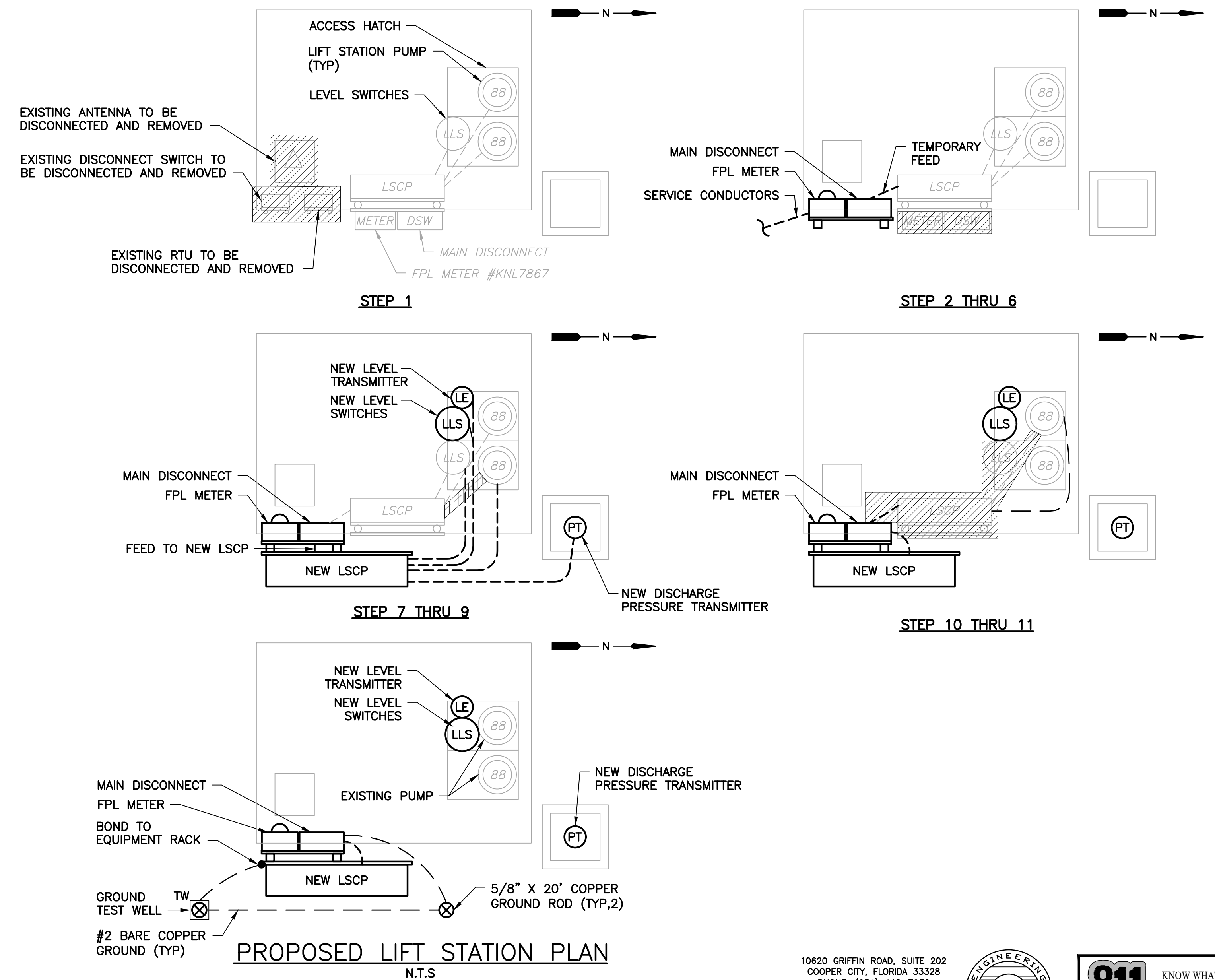
**EQUIPMENT RACK – REAR (SOUTH EAST ELEVATION)**  
NTS

**GENERAL NOTES:**

- A. EXISTING LIFT STATION SHALL REMAIN OPERATIONAL DURING THE DURATION OF THE WORK. PROVIDE STANDBY POWER, BYPASS PUMPING, AND TEMPORARY UTILITY POWER AS REQUIRED TO COMPLETE THE WORK.
- B. RECOMMENDED SEQUENCE OF CONSTRUCTION SHALL NOT BE CONSIDERED THE ONLY MEANS TO COMPLETE THE WORK. ULTIMATE RESPONSIBILITY TO COMPLETE THE WORK IS WITH THE CONTRACTOR. SUBMIT PLANNED SEQUENCE OF CONSTRUCTION TO ENGINEER PRIOR TO COMMENCING THE WORK.
- C. TRENCHING FOR NEW SERVICE CONDUCTORS SHALL BE HAND-DUG. SAW CUT PAVED AREAS, AS REQUIRED.
- D. VERIFY THAT EXISTING PUMP CABLE LENGTHS ARE OF SUFFICIENT LENGTH TO TERMINATE AT THE NEW LIFT STATION CONTROL PANEL, AND INCLUDE COST FOR INSTALLING LONGER CABLES IN THE BID, IF REQUIRED.
- E. CONTRACTOR SHALL FIELD VERIFY THE BEST ROUTE FOR NEW

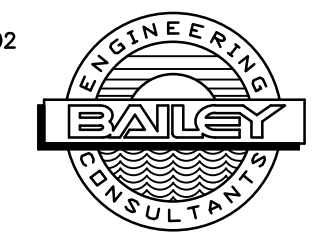
**RECOMMENDED SEQUENCE OF CONSTRUCTION:**

1. DEMOLISH EXISTING RTU ANTENNA, DISCONNECT SWITCH, RTU PANEL, AND ALL ASSOCIATED MOUNTING HARDWARE. REMOVE ASSOCIATED CONDUCTORS BACK TO THE SOURCE. REMOVE ASSOCIATED RACEWAY AND PATCH ANY OPENINGS IN THE SLAB OR PAVEMENT CREATED AS A RESULT OF THIS WORK. KEEP EXISTING LIFT STATION CONTROL PANEL IN SERVICE WHILE PERFORMING THIS WORK.
2. INSTALL NEW EQUIPMENT RACK TO THE SOUTH OF EXISTING EQUIPMENT RACK, AS SHOWN. INSTALL AND WIRE NEW FPL METER AND MAIN DISCONNECT SWITCH.
3. INSTALL NEW SERVICE CONDUIT AND CONDUCTORS FROM EXISTING FPL PAD MOUNT TRANSFORMER TO NEW FPL METER.
4. ENERGIZE NEW EQUIPMENT.
5. PROVIDE TEMPORARY FEED FROM NEW MAIN DISCONNECT TO EXISTING LIFT STATION CONTROL PANEL.
6. REMOVE EXISTING MAIN DISCONNECT AND EXISTING FPL METER.
7. EXTEND NEW RACK AS REQUIRED TO ACCEPT NEW LIFT STATION CONTROL PANEL, AND INSTALL NEW CONTROL PANEL ON SOUTH SIDE OF NEW EQUIPMENT RACK. CONNECT TO NEW MAIN DISCONNECT AND ENERGIZE (EXISTING AND NEW PUMP CONTROL PANELS WILL BE SIMULTANEOUSLY SUPPLIED FROM NEW MAIN DISCONNECT SWITCH ON A TEMPORARY BASIS).
8. ROUTE NEW CONDUIT FROM WET WELL TO NEW CONTROL PANEL. INSTALL AND WIRE NEW LEVEL INSTRUMENTATION.
9. DISCONNECT FIRST PUMP FROM EXISTING LIFT STATION CONTROL PANEL, AND RECONNECT TO NEW CONTROL PANEL.
10. AFTER SUCCESSFUL SWITCH OVER OF THE FIRST PUMP, AND AFTER VERIFYING PROPER OPERATION OF THE CONTROLS SYSTEM, SWITCH OVER THE SECOND PUMP.
11. AFTER VERIFYING PROPER OPERATION OF THE SECOND PUMP, DEMOLISH EXISTING LIFT STATION CONTROL PANEL, INSTRUMENTATION, ASSOCIATED WIRING, RACEWAYS, 480V SERVICE, AND MOUNTING HARDWARE. PATCH ANY OPENINGS IN THE SLAB OR PAVEMENT CREATED AS A RESULT OF THIS WORK.



**PROPOSED LIFT STATION PLAN**  
N.T.S.

10620 GRIFFIN ROAD, SUITE 202  
COOPER CITY, FLORIDA 33328  
PHONE: (954) 448-7930  
C.O.A. NO. 6783  
Stephen E. Bailey, P.E.  
Florida P.E. No. 42461



| No. | REVISIONS | DATE | BY |
|-----|-----------|------|----|
|     |           |      |    |
|     |           |      |    |
|     |           |      |    |
|     |           |      |    |

**Kimley»Horn**

600 NORTH PINE ISLAND ROAD, SUITE 450, PLANTATION, FL 33324  
PHONE: 954-535-5100 FAX: 954-739-2247  
WWW.KIMLEY-HORN.COM CA 0000696

|                          |
|--------------------------|
| KHA PROJECT<br>043138041 |
| DATE<br>May 2020         |
| SCALE<br>AS SHOWN        |
| DESIGNED BY<br>SEB       |
| DRAWN BY<br>SJM          |
| CHECKED BY<br>SEB        |

**VILLAGE HALL  
PUMP STATION IMPROVEMENTS**

PREPARED FOR  
**NORTH BAY VILLAGE**

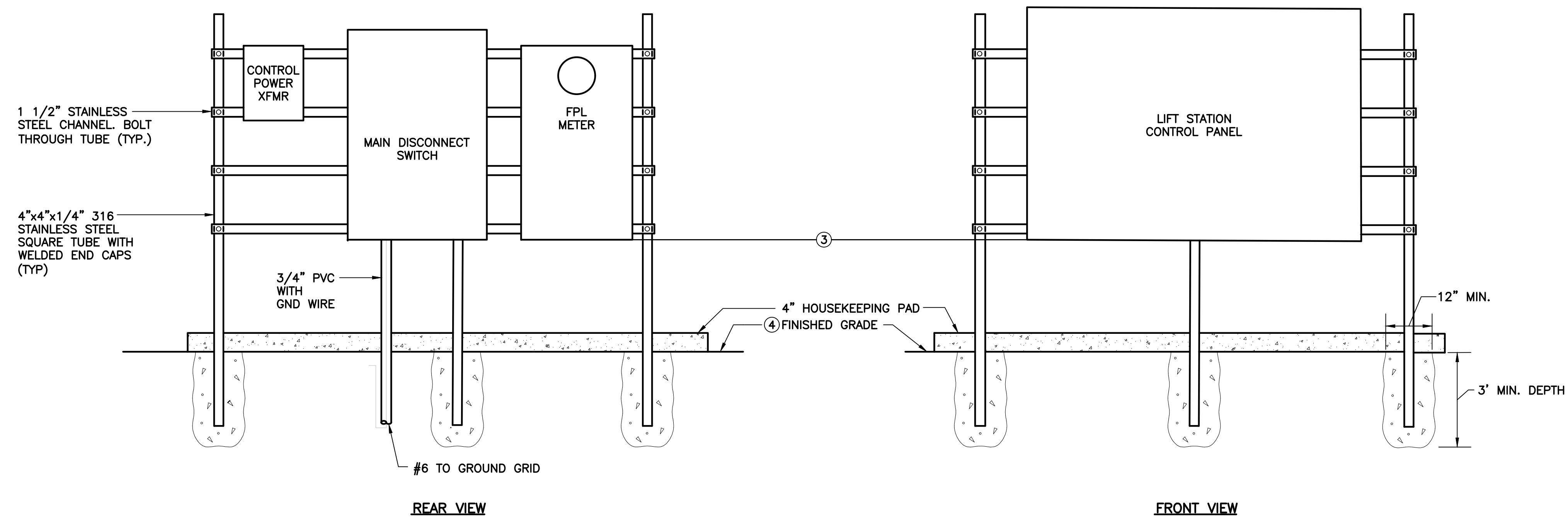
FLORIDA

|                                 |
|---------------------------------|
| LICENSED PROFESSIONAL           |
| STEPHEN E. BAILEY               |
| FLORIDA LICENSE NUMBER<br>42461 |
| DATE: 05/12/20                  |

**PICTURES AND ANNOTATIONS**

|              |
|--------------|
| SHEET NUMBER |
| <b>E-11</b>  |

This document, together with the concepts and designs presented herein, is intended only for the specific purpose and client for which it was prepared. Reuse of and improper reliance on this document without written authorization and adaptation by Kimley-Horn and Associates, Inc. shall be without liability to Kimley-Horn and Associates, Inc.



- NOTES:**
- ① DEPTH AS REQUIRED TO MEET FLORIDA BUILDING CODE WIND LOAD REQUIREMENTS. CONTRACTOR SHALL SUBMIT SIGNED AND SEALED WIND LOAD CALCULATIONS FROM A STRUCTURAL ENGINEER LICENSED IN THE STATE OF FLORIDA.
  - ② ALL HARDWARE SHALL BE 316 STAINLESS STEEL UNLESS OTHERWISE NOTED.
  - ③ BASE FLOOD ELEVATION IS 6'-0" NGVD 29, FLOOD ZONE AE. INSTALL BOTTOM OF ALL ELECTRICAL 12 INCHES CLEAR OF BASE FLOOD ELEVATION.
  - ④ FINISH GRADE ELEVATION IS 6'-0".

**ELECTRICAL EQUIPMENT RACK FRONT/REAR VIEW ELEVATION**

N.T.S.

| No. | REVISIONS | DATE | BY |
|-----|-----------|------|----|
|     |           |      |    |
|     |           |      |    |
|     |           |      |    |
|     |           |      |    |

**Kimley»Horn**

600 NORTH PINE ISLAND ROAD, SUITE 450, PLANTATION, FL 33324  
 PHONE: 954-535-5100 FAX: 954-739-2247  
 WWW.KIMLEY-HORN.COM CA 00000696

|                          |
|--------------------------|
| KHA PROJECT<br>043138041 |
| DATE<br>May 2020         |
| SCALE AS SHOWN           |
| DESIGNED BY SEB          |
| DRAWN BY SJL             |
| CHECKED BY SEB           |

**VILLAGE HALL  
 PUMP STATION IMPROVEMENTS**

PREPARED FOR  
**NORTH BAY VILLAGE**

NORTH BAY VILLAGE FLORIDA

|                                 |
|---------------------------------|
| LICENSED PROFESSIONAL           |
| STEPHEN E. BAILEY               |
| FLORIDA LICENSE NUMBER<br>42461 |
| DATE: 05/12/20                  |

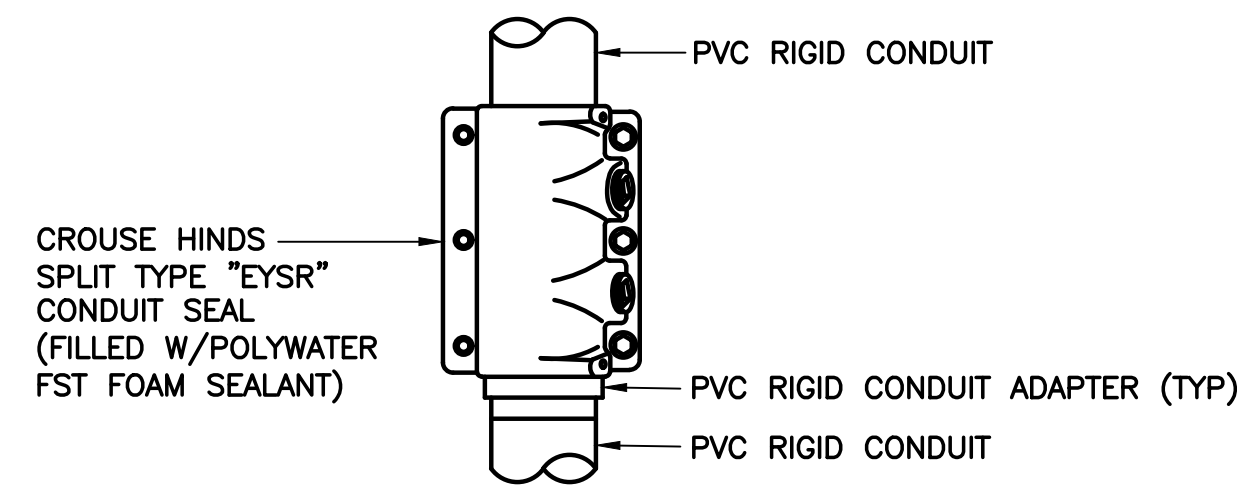
**ELECTRICAL DETAILS -1**

|              |
|--------------|
| SHEET NUMBER |
| <b>E-12</b>  |

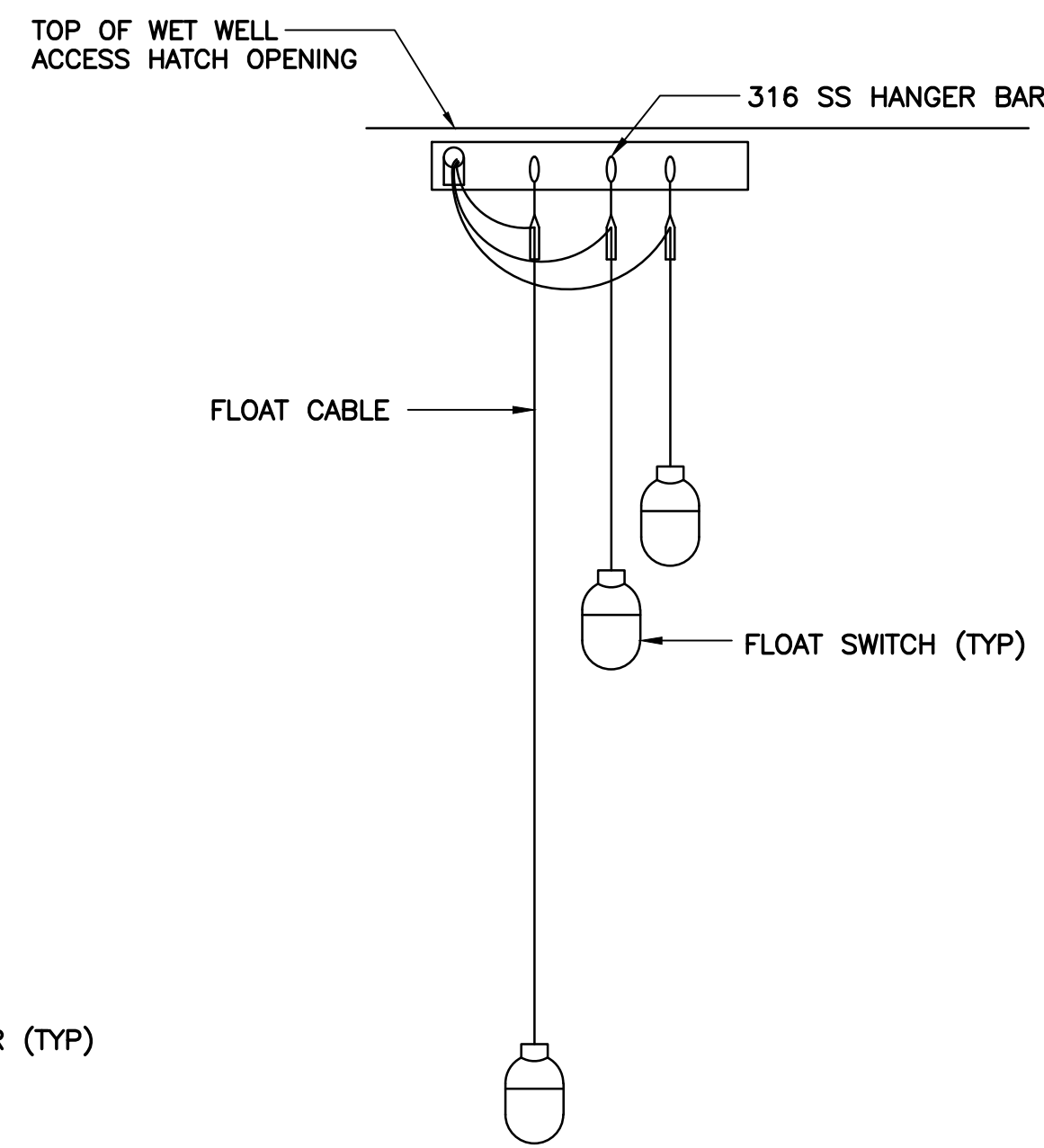
10620 GRIFFIN ROAD, SUITE 202  
 COOPER CITY, FLORIDA 33328  
 PHONE: (954) 448-7930  
 C.O.A. NO. 6783  
 Stephen E. Bailey, P.E.  
 Florida P.E. No. 42461



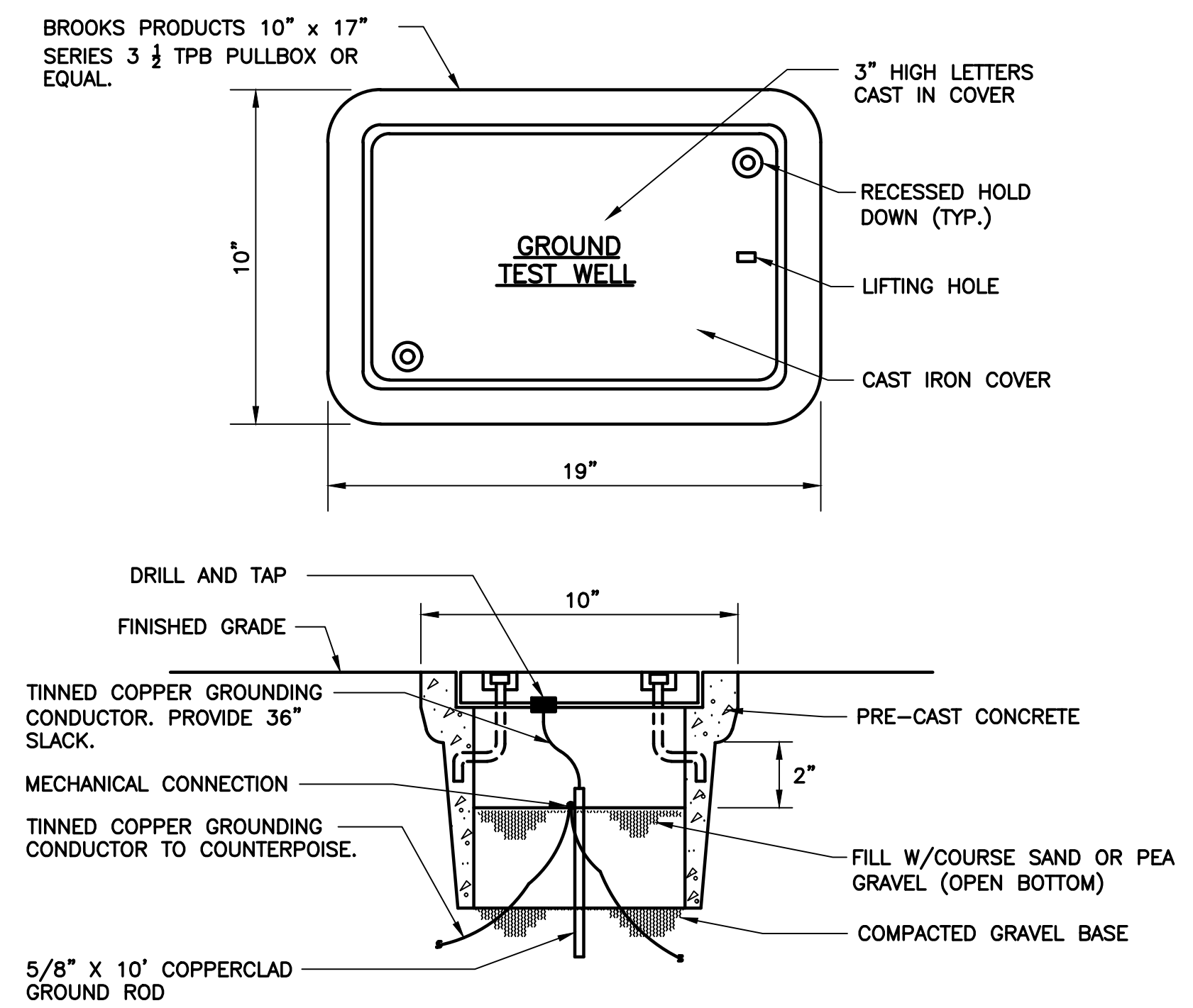
This document, together with the concepts and designs presented herein, is intended only for the specific purpose and client for which it was prepared. Reuse of and improper reliance on this document without written authorization and adaptation by Kimley-Horn and Associates, Inc. shall be without liability to Kimley-Horn and Associates, Inc.



**SEAL-OFF FITTING DETAIL**  
SCALE: N.T.S.

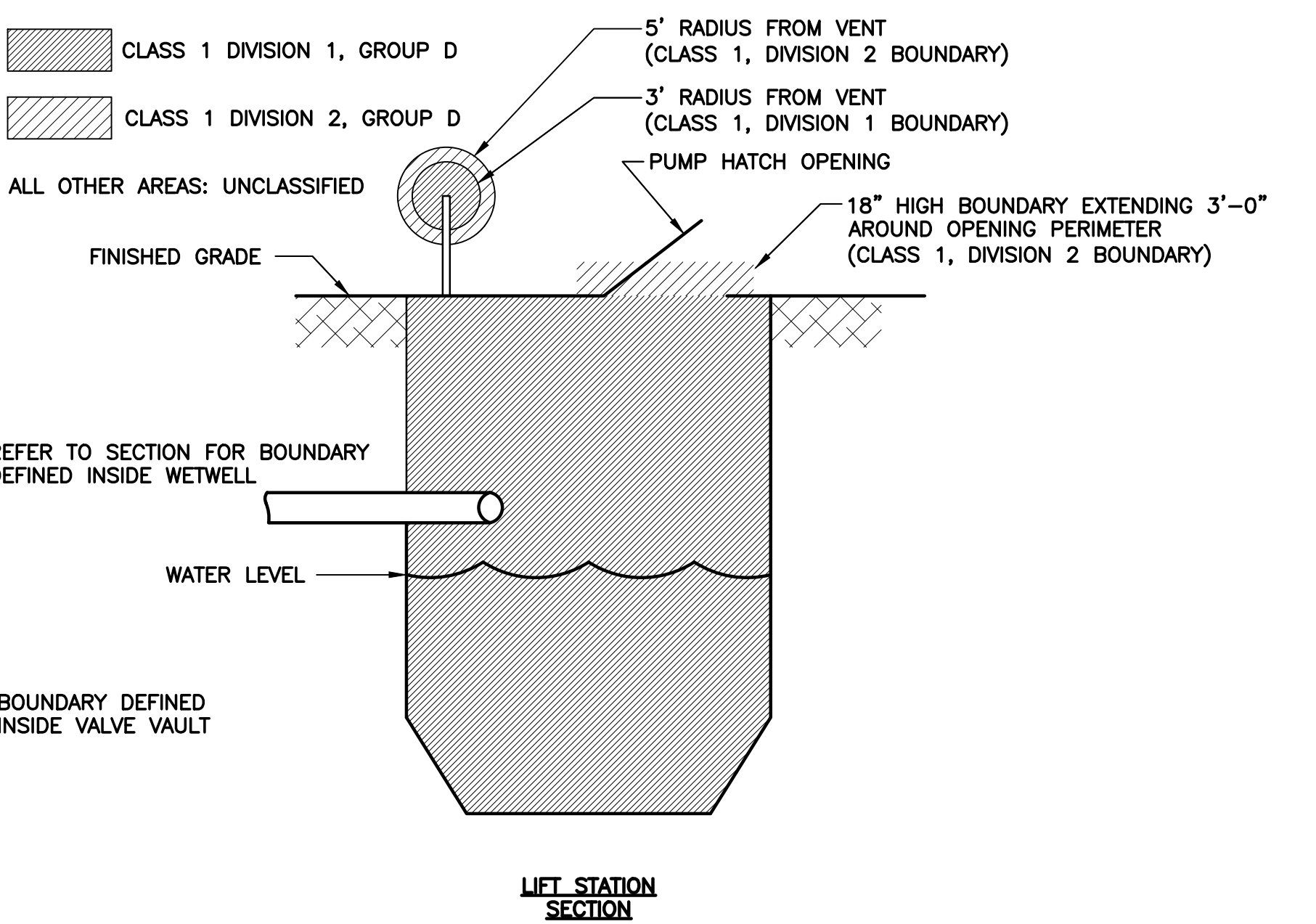


**TYPICAL LEVEL SWITCH MOUNTING DETAIL**  
SCALE: N.T.S.

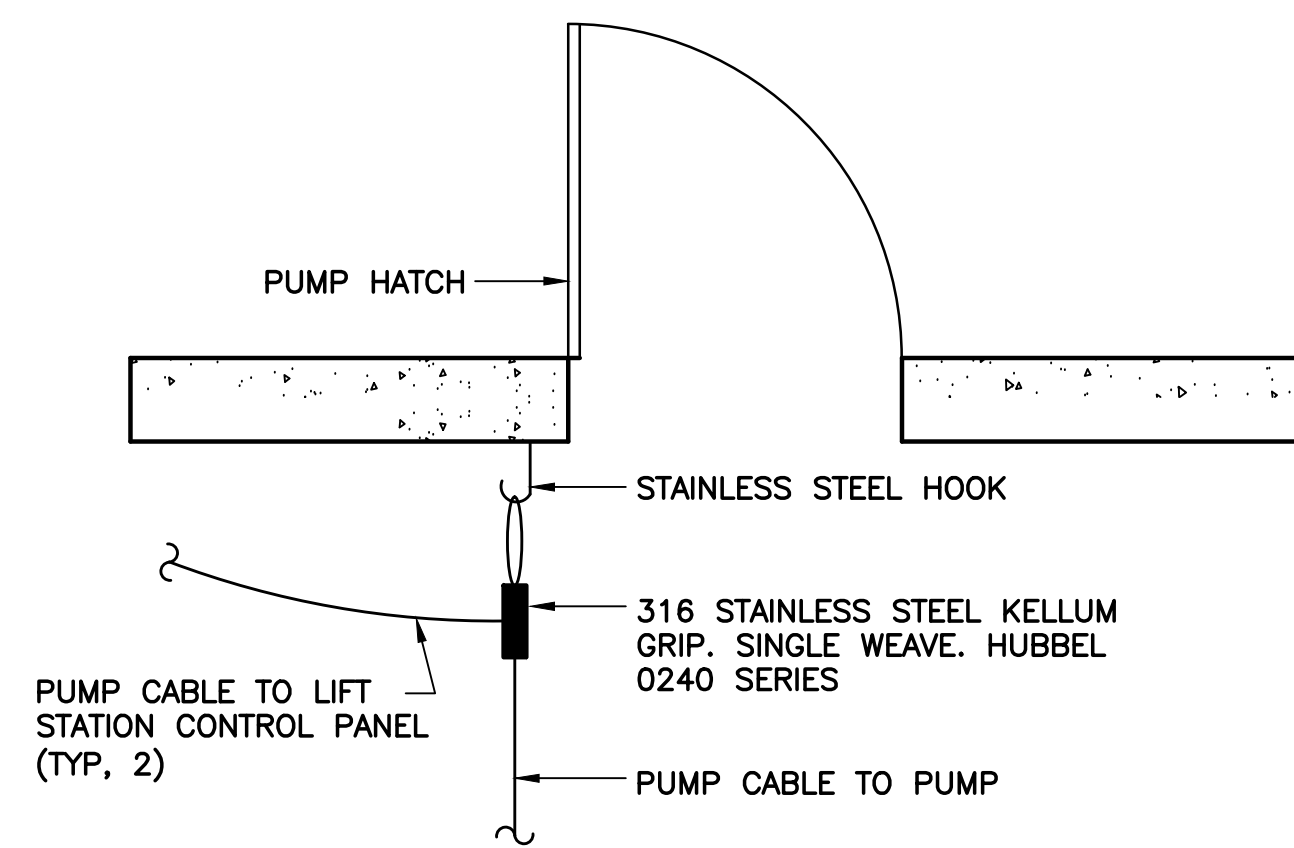


**TYPICAL GROUND TEST WELL**  
SCALE: N.T.S.

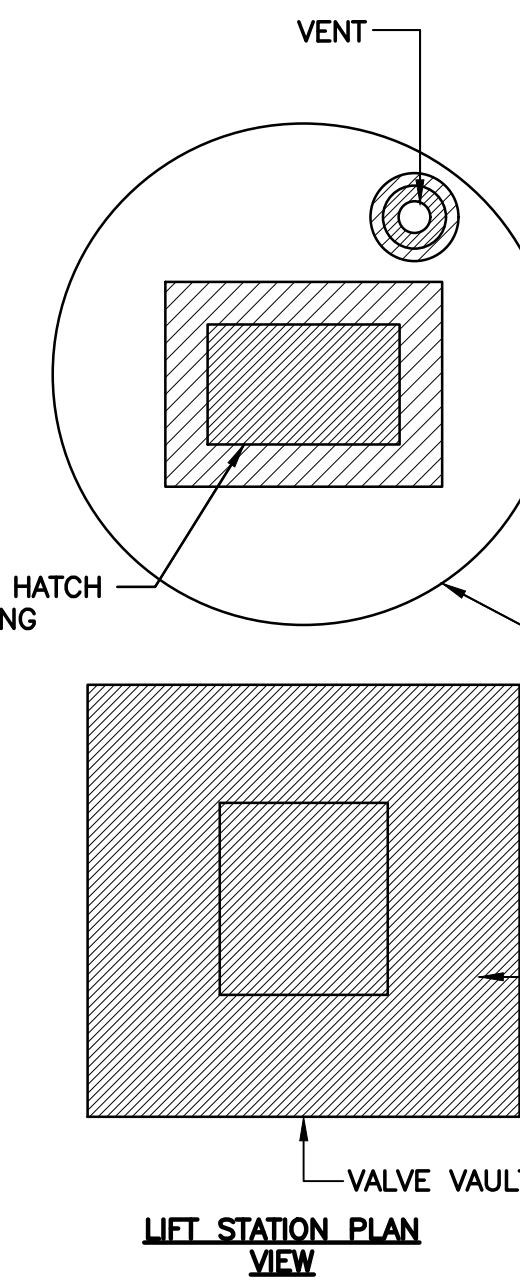
**TYPICAL GROUND TEST WELL**  
SCALE: N.T.S.



**HAZARDOUS AREA CLASSIFICATION**  
SCALE: N.T.S.



**TYPICAL PUMP CABLE MOUNTING DETAIL**  
SCALE: N.T.S.



**LIFT STATION PLAN VIEW**

**LIFT STATION SECTION**

| No. | REVISIONS | DATE | BY |
|-----|-----------|------|----|
|     |           |      |    |
|     |           |      |    |
|     |           |      |    |
|     |           |      |    |

**Kimley»Horn**

600 NORTH PINE ISLAND ROAD, SUITE 450, PLANTATION, FL 33324  
 PHONE: 954-535-5100 FAX: 954-739-2247  
 WWW.KIMLEY-HORN.COM CA 00000696

|                          |
|--------------------------|
| KHA PROJECT<br>043138041 |
| DATE<br>May 2020         |
| SCALE AS SHOWN           |
| DESIGNED BY<br>SEB       |
| DRAWN BY<br>S.JL         |
| CHECKED BY<br>SEB        |

**VILLAGE HALL  
PUMP STATION IMPROVEMENTS**

PREPARED FOR  
**NORTH BAY VILLAGE**

NORTH BAY VILLAGE FLORIDA

|  |
|--|
| LICENSED PROFESSIONAL<br><br>STEPHEN E. BAILEY |
| FLORIDA LICENSE NUMBER<br>42461                |
| DATE: 05/12/20                                 |

**ELECTRICAL DETAILS - 2**

|                                 |
|---------------------------------|
| SHEET NUMBER<br><br><b>E-13</b> |
|---------------------------------|

10620 GRIFFIN ROAD, SUITE 202  
 COOPER CITY, FLORIDA 33328  
 PHONE: (954) 448-7930  
 C.O.A. NO. 6783  
 Stephen E. Bailey, P.E.  
 Florida P.E. No. 42461

